

TracPhone V7HTS Remote Service Module Replacement Instructions



Technical Support

If you need technical assistance, please contact KVH Technical Support:

Within Continental U.S.A.: 1 866 701-7103

Worldwide: +1 401 851-3806

Email: mvbsupport@kvh.com

The following instructions explain how to replace the remote service module (GPRS modem) in a TracPhone® V7-HTS antenna.

NOTE: Your antenna might have parts that differ from those pictured in this document. Such differences have no bearing on the instructions unless noted otherwise.

Tools Required

This procedure requires the following tools:

- #2 Phillips screwdriver
- Flat-head jeweler's screwdriver
- Flat-head torque screwdriver set to 5 in.-lbs
- Flush cutters
- Pliers
- Adhesive remover
- Mild cleaning solvent (isopropyl alcohol recommended)
- Shop towels

Figure 1: Remote Service Module



Step 1 - Remove the Radome

Follow the steps below to disconnect power and remove the radome.

- a. Power off and unplug the ICM to disconnect power from the antenna. Follow all shipboard lockout-tagout procedures, where applicable.



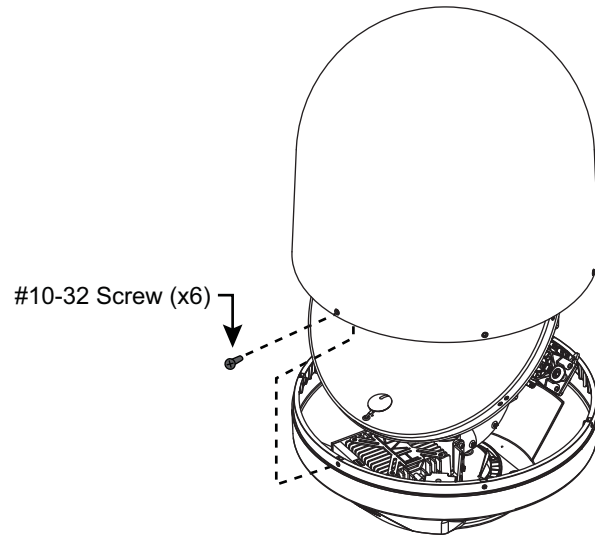
WARNING

To prevent injury, disconnect power from the system before proceeding and keep it disconnected for the duration of this procedure. Failure to disconnect power risks electric shock, potentially resulting in DEATH.

- b. Using a #2 Phillips screwdriver, remove and discard the six #10-32 screws securing the radome to the baseplate (see Figure 2).
- c. Carefully lift the radome straight up until clear of the antenna assembly and set it aside in a safe place. Do not place the radome on a hot steel deck – the heat may warp the radome.

NOTE: If you keep the radome topside, secure it with a lanyard to prevent it from falling overboard.

Figure 2: Remove the Radome



Step 2 - Replace the Remote Service Module

Follow the steps below to replace the remote service module.

- a. First, note the type of remote service module you are replacing: legacy model (Figure 3) or new model (Figure 4).
- b. Using flush cutters, cut the two tie-wraps that surround the remote service module and its mounting bracket.
- c. Grasp the remote service module and pull it free from the mounting bracket.
- d. Remove any remaining adhesive residue from the mounting bracket. Then clean and dry the mounting surface (isopropyl alcohol recommended).
- e. Disconnect the GPRS cable from the remote service module (see Figure 3 (legacy) or Figure 5 (new)). To avoid breaking the DB9 connector's retaining screws, loosen the retaining screws with a jeweler's screwdriver.
- f. If you are replacing a legacy model, bend back the arms of the mounting bracket to make a flat surface to accommodate the new larger model (see Figure 6).
- g. Connect the antenna's GPRS cable to the cable connector on the replacement remote service module and tighten the retaining screws to approximately 5 in.-lbs of torque (see Figure 5). Do not overtighten – the screws break easily.
- h. Make sure the outer housing of the new remote service module is clean and dry. Then secure the cable connector to the remote service module using the tape supplied on the connector (see Figure 5). Tape is provided on both sides of the connector; be sure to use the correct side that allows you to attach the connector as shown in Figure 5. Peel off the paper backing and press firmly to make sure the adhesive bonds to the module.
- i. Secure the remote service module to the mounting bracket as shown in Figure 4, using the tape supplied on the module. Peel off the paper backing. Then press the remote service module down firmly onto the mounting bracket. Apply pressure to make sure the adhesive bonds to the bracket.

Figure 3: Legacy Remote Service Module

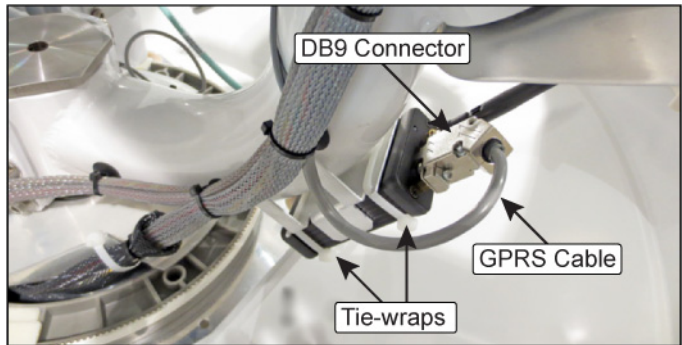


Figure 4: New Remote Service Module (DB9 Connector Not Visible)

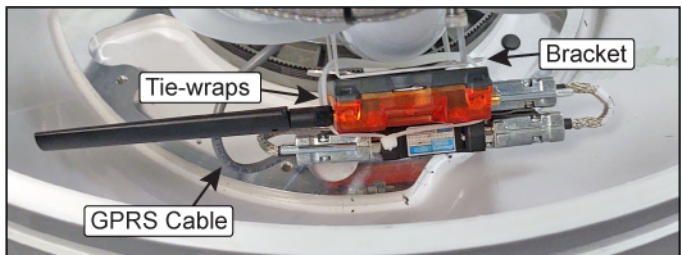


Figure 5: New Remote Service Module Cable Connection

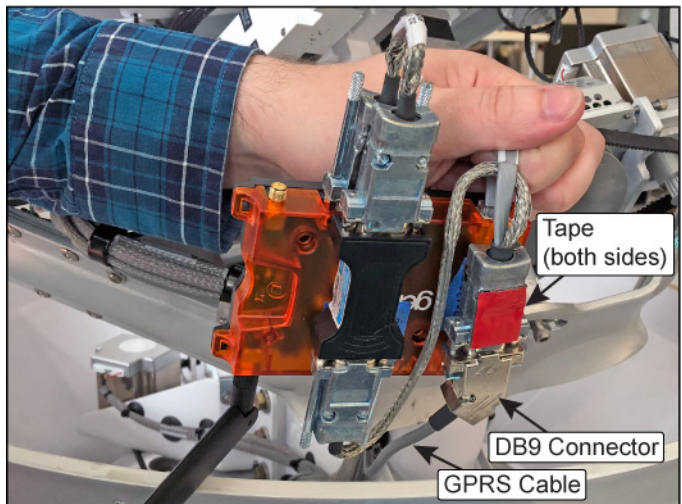
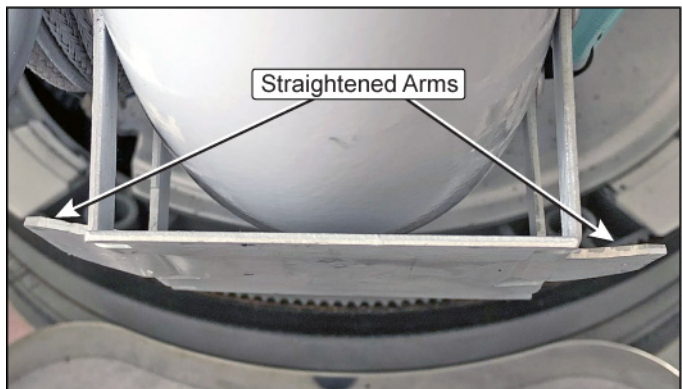
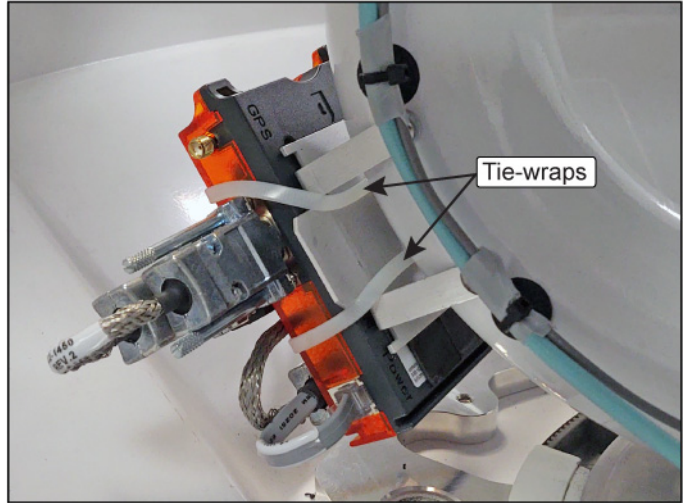


Figure 6: Flattened Mounting Bracket



-
- j. Using the two tie-wraps supplied in the kit, secure the remote service module to the mounting bracket (see Figure 7).
 - k. Make sure the remote service module's antenna is pointing toward the base, so it will not interfere with the antenna assembly.
 - l. Inspect the inside of the antenna to make sure you have not left any tools or debris inside.
 - m. Move the antenna assembly by hand in both azimuth and elevation to ensure nothing restricts movement.
 - n. Reinstall the radome onto the antenna securing it with new #10-32 screws (supplied in the kit).
 - o. Reconnect power to the antenna.

Figure 7: Tie-wraps Securing the Module to the Bracket



Step 3 - Update the Software

Follow the instructions in the system's Help menu or User's Guide to update the system software to the latest version.

Important!

System software version 3040 or later is required to support the new remote service module.

Then call KVH Technical Support and ask them to test the remote service module's GPRS cellular connection.

The replacement procedure is complete!