



TracVision® TV10 Installation Guide



TracVision TV10 Installation Guide

This guide explains how to install the TracVision TV10 satellite TV antenna system on a vessel. Operation instructions are provided in the Quick Start Guide.

Installation Steps

1. Inspect Parts and Get Tools	3	11. Wire the Receivers.....	17
2. Plan the Antenna Installation.....	4	12. Connect a NMEA Device	25
3. Plan the TV-Hub Installation.....	7	13. Connect Power.....	26
4. Prepare the Antenna Site.....	8	14. Turn On the System	28
5. Prepare the RF Cables.....	9	15. Access the Web Interface.....	29
6. Rig/Hoist the Antenna.....	10	16. Connect to an Onboard Network.....	30
7. Wire the Antenna	11	17. Secure the Wi-Fi Connection	31
8. Mount the Antenna.....	13	18. Set Up the System.....	32
9. Mount the TV-Hub.....	15	19. Educate the Customer.....	35
10. Wire the Antenna to the TV-Hub.....	16		

Appendices

A. Installing a Circular LNB	36	C. Using a DIRECTV Coax Network.....	44
B. Installing an IP AutoSwitch.....	40		

Who Should Install the System?

To ensure a safe and effective installation, KVH recommends that a KVH-certified marine technician install the TracVision antenna. KVH-authorized technicians have the tools and electronics expertise necessary to install the system. To find a technician near you, visit www.kvh.com/wheretogetservice.

Technical Support

If you need technical assistance, please contact KVH Technical Support:

Europe, Middle East, Africa, Asia-Pacific

Phone: +45 45 160 180

Email: support@kvh.com

(Mon.-Thu., 8 am-4:30 pm; Fri., 8 am-2 pm, +1 GMT)

North/South America, Australasia

Phone: +1 401 847-3327

Email: support@kvh.com

(Mon.-Fri., 9 am-6 pm; Sat., 9 am-2 pm ET, -5 GMT)

KVH, TracVision, and the unique light-colored dome with dark contrasting baseplate (Reg. No. 2,864,752) are registered trademarks of KVH Industries, Inc. All other trademarks are property of their respective companies. The information in this document is subject to change without notice. No company shall be liable for errors contained herein.

© 2020-2022 KVH Industries, Inc., All rights reserved. 54-1345 Rev. B1

Important Safety Information



This icon indicates a danger, warning, or caution notice. Be sure to read these carefully to avoid injury.



WARNING

Risk of Electric Shock

To avoid electric shock, do not open the TV-Hub chassis enclosure. There are no user-serviceable parts inside.



WARNING

Risk of Electric Shock

If any component of the TracVision system becomes damaged and/or no longer functions normally, disconnect it from vessel power, secure it from unintended operation, and contact KVH Technical Support (see [“Technical Support” on page 1](#)). All repairs or modifications must be performed by a trained, KVH-certified technician. If you are a KVH-certified technician, you still must contact KVH Technical Support prior to conducting any repairs or modifications to the equipment.



WARNING

Risk of Explosion

Do not operate the TV-Hub (or any other electrical device) in an environment where flammable gases, vapors, or dusts are present. In addition, do not operate the TV-Hub in an environment with a temperature outside its 5° F to 131° F (-15° C to 55° C) temperature range.



WARNING

Risk of Electric Shock

Failure to ground the TracVision system properly to ship's ground will cause an unsafe floating ground condition, risking potentially lethal electric shock. See [“Connect Power” on page 26](#) for details on the proper grounding of the equipment.

1 Inspect Parts and Get Tools

Before you begin, follow these steps to ensure you have everything needed to complete the installation.

IMPORTANT!

Always lift the antenna by the baseplate and never by the radome or any portion of the internal antenna assembly (see Figure 1).

- a. Unpack the box and ensure it contains everything shown on the Kitpack Contents List. Save the packaging for future use.
- b. Carefully examine all of the supplied parts to ensure nothing was damaged in shipment.
- c. Gather the tools and materials listed below.
 - Flat-head and Phillips-head screwdrivers
 - Electric drill and 1/8" (3 mm) and 5/8" (16 mm) drill bits
 - 5/32" hex key
 - 7/16" open-end torque wrench(es) set to 15 in.-lbs and 20 in.-lbs (2.25 N-m)
 - 1/2" open-end wrench
 - 3/4" and 7/16" sockets/ratchets
 - 3/4" socket/torque ratchet set between 35 and 40 ft.-lbs (47 and 54 N-m) of torque
 - Light hammer and center punch
 - Adhesive tape and scribe or pencil
 - RG-11 or RG-6 RF coax cable(s), with "F" connectors, and termination tools (RG-11 must be used for RF1; see "Prepare the RF Cables" on page 9)
 - Silicone sealant or equivalent
 - Satellite TV receiver(s)/DVRs for your desired service (see Figure 2)
 - Multimeter
 - Wi-Fi-enabled laptop PC Apple® iOS or Android™ smartphone or tablet with the KVH TracVision TV-series app, and the latest software and satellite library downloaded from the KVH Partner Portal (www.kvh.com/partners)

Figure 1: TracVision TV10 System Components

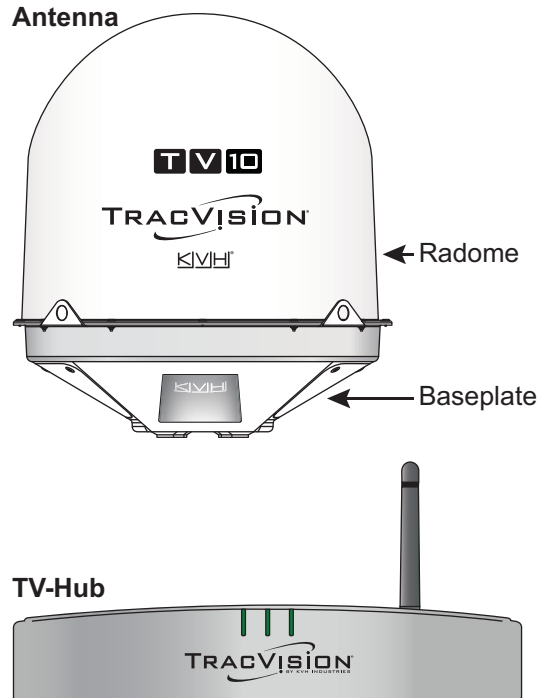


Figure 2: KVH-Validated Receivers

Linear	
For information on the recommended receivers for linear service, contact your local KVH dealer/distributor. Go to www.kvh.com/wheretogetservice to find a dealer/distributor near you.	
DIRECTV*	DISH Network*
H20	311
H21	211
H22	211k
H23	211z
H24	Wally
H25	
HR21, HR21 Pro	Bell TV*
HR22	6100
HR23	6131
HR24	6400

* List is subject to change. For information on connecting different receiver models, contact KVH Technical Support.

2 Plan the Antenna Installation

Before you begin, consider the following antenna installation guidelines.

IMPORTANT!

Be sure to follow the guidelines below. Damage caused by an improper installation is not covered under KVH warranty.

- Minimize blockage. The antenna requires a clear view of the sky to receive satellite TV (see Figure 3). The fewer obstructions, the better the system will perform.

IMPORTANT!

To prevent the antenna from interfering with any electromagnetic sensitive compasses or equipment, maintain a minimum distance of at least 5 ft (1.5 m) between the antenna and any compasses.

- Consider the distance between your antenna and any radar. KVH requires that you do not mount the antenna on the same level as the radar, because the radar's energy may damage the LNB. Most radar transmitters emit RF energy within an elevation range of -15° to $+15^{\circ}$ (see Figure 4). Therefore, mount the antenna outside of this elevation range and at least 10 ft (3 m) away from the radar.

IMPORTANT!

Never place the antenna in the beam path of the radar, regardless of distance. The radar's energy may damage the antenna or impair its performance.

Figure 3: Blockage from Obstruction

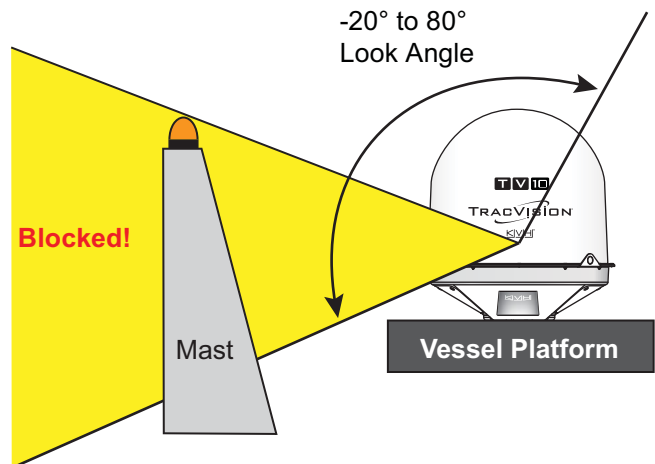
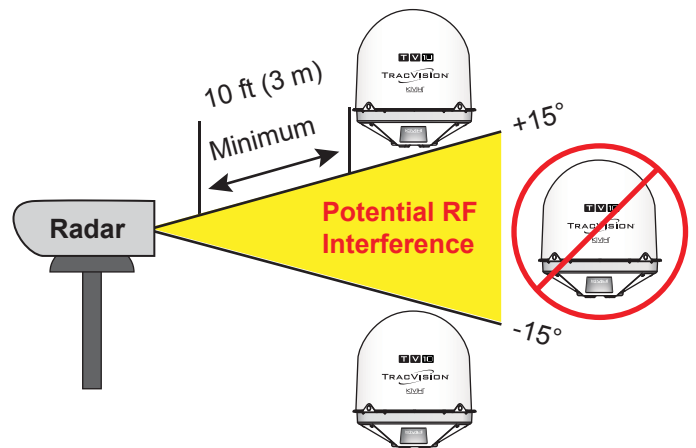


Figure 4: Distance from Radar

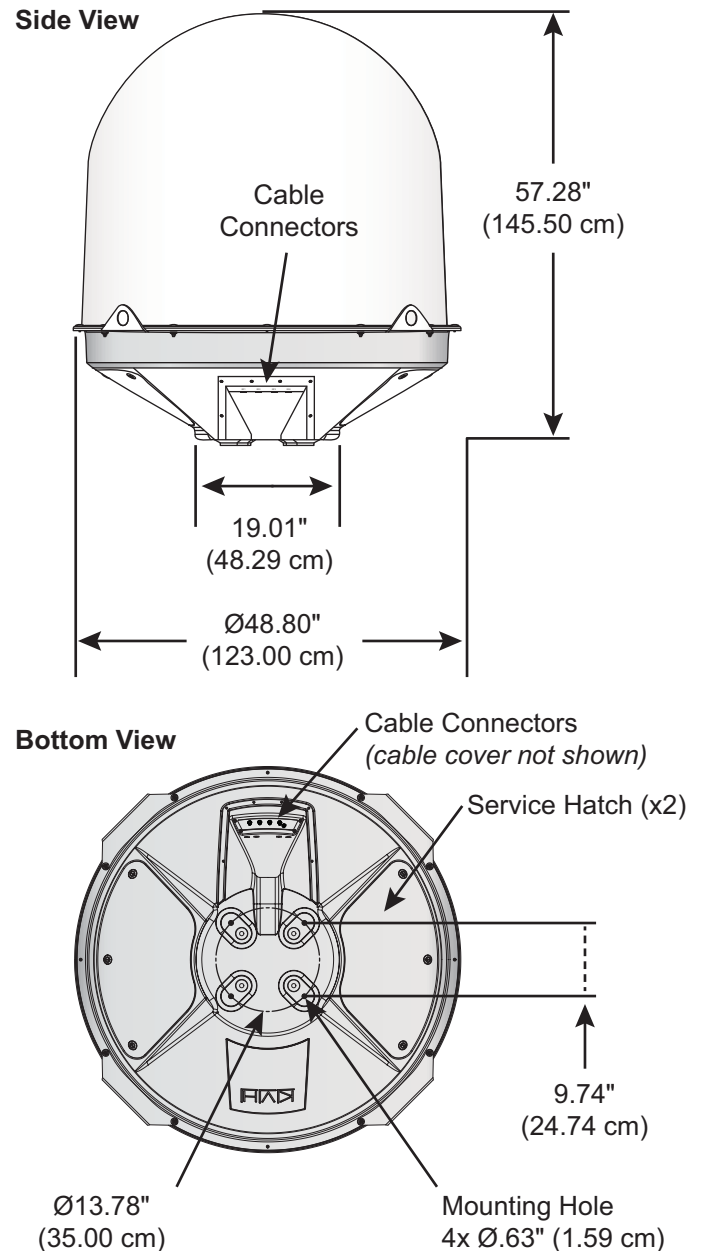


2 Continued Plan the Antenna Installation

- Make sure the mounting surface is wide enough to accommodate the antenna's base (see Figure 5). Also make sure it is flat, level (within $\pm 1^\circ$), strong enough to support the antenna's weight (198 lbs (89.8 kg)) and rigid enough to prevent antenna vibration.
- Be sure to preserve enough free space outside the access hatch to allow a technician to remove the hatch and perform maintenance.
- Select a location that is not too high above the waterline (less than 1/2 the vessel's length), and as close as possible to the intersection of the vessel's fore-and-aft centerline and midships.
- Be sure to mount the antenna near enough to the TV-Hub to allow you to connect the 100 ft (30 m) coax cable between them, while still maintaining sufficient slack in the cable.

NOTE: For RF1, you **must** use an RG-11 cable. If you need to use a longer cable, use a RG-11 (75 Ω) cable that does not exceed 200 ft (60 m) in length (see "Prepare the RF Cables" on page 9).

Figure 5: Antenna Dimensions



2

Continued Plan the Antenna Installation

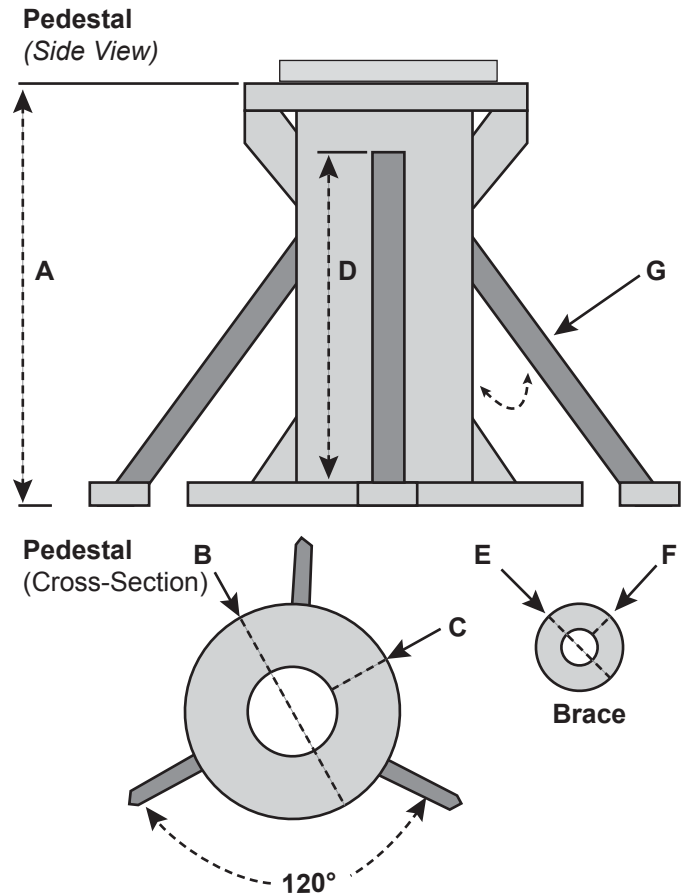
Pedestal Structural Requirements

If a pedestal is going to be used, it must meet the following minimum requirements. Refer to Figure 5.

Pedestal Height (A)	3.28 ft 1 m	6.56 ft 2 m	9.84 ft 3 m
Tube OD (B)	9.0" 230 mm	8.0" 203.2 mm	10" 254 mm
Tube Wall Thickness (C)	0.5" 12.7 mm	0.5" 12.7 mm	0.5" 12.7 mm
Brace Height (D)	N/A	5.56 ft 1.7 m	7.34 ft 2.24 m
Brace OD (E)	N/A	3.0" 76.2 mm	6.0" 152.4 mm
Brace Thickness (F)	N/A	0.25" 6.35 mm	0.5" 12.7 mm
Brace Angle (G)	N/A	30°	25°

NOTE: If the pedestal exceeds 3.28 ft (1 m), braces must be placed at 120° intervals. Sizing is based on Structural Steel Tubing 60,000 psi (415 MPa) minimum yield.

Figure 6: Pedestal Dimensions



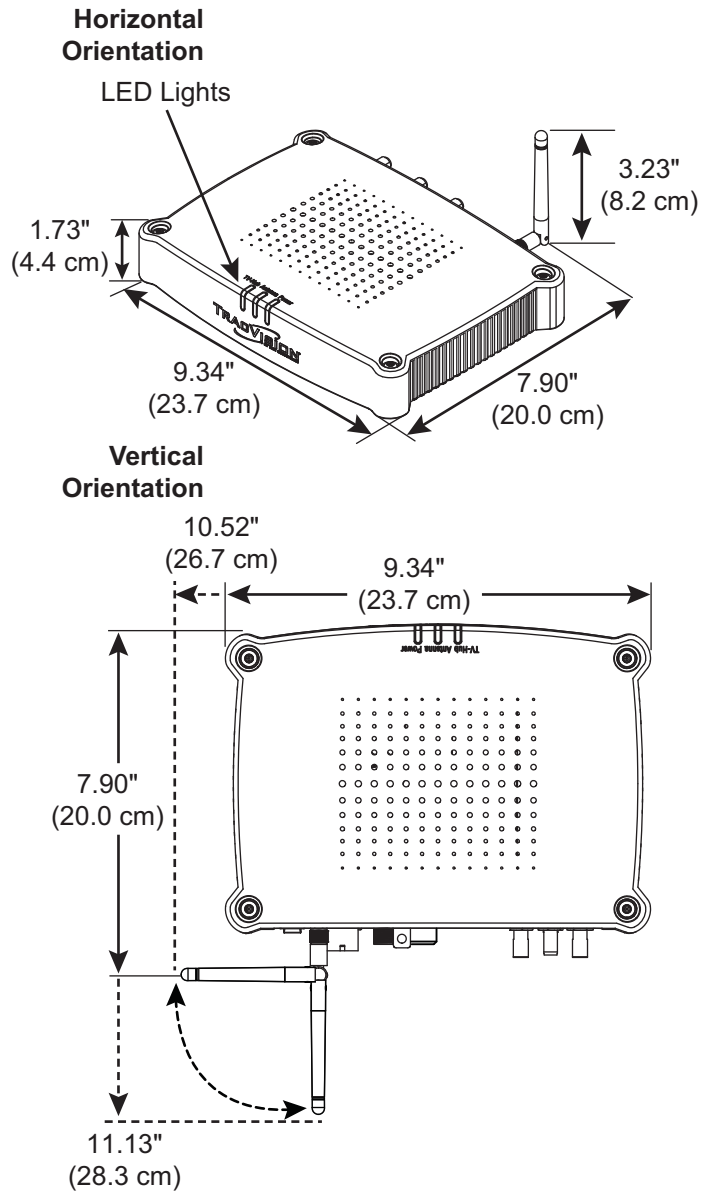
3 Plan the TV-Hub Installation

Consider the following TV-Hub installation guidelines.

- Select a mounting location in a dry, well-ventilated area belowdecks away from any heat sources or salt spray.
- Do not install the TV-Hub in an area surrounded by metal or near any electrical devices that emit RF noise.
- The TV-Hub can be mounted horizontally or vertically on a flat surface (see Figure 7).
- Be sure the TV-Hub LED lights will be visible to the user.
- Select a location that will provide adequate clearance for the TV-Hub dimensions (see Figure 7).
- Leave enough room behind the rear panel (horizontal mount) or below the rear panel (vertical mount) to accommodate connecting the cables and making service loops within the proper bend radius.
- If you plan to use the TV-Hub's Wi-Fi connections, ensure the TV-Hub mounting location provides adequate Wi-Fi reception.
- If you plan to connect the TV-Hub to the vessel's onboard local area network (LAN), choose a location near an available Ethernet port.

NOTE: A template showing the exact locations of the TV-Hub mounting holes and the dimensions between them is provided in the Welcome Kit. Installation details are provided in ["Mount the TV-Hub" on page 15](#).

Figure 7: TV-Hub Dimensions



4

Prepare the Antenna Site

Once you have identified a suitable antenna mounting site, according to the guidelines provided in [“Plan the Antenna Installation”](#) on [page 4](#), follow these steps to drill the mounting holes and cable access hole to prepare the site for installation.

Drill the Mounting Holes

- Unfold the antenna mounting template (supplied in *Customer Welcome Kit*) and place it onto the mounting surface. Make sure the “FWD” (forward) arrow points toward the bow and is **parallel** to the vessel’s centerline (see Figure 8). Tape in place.

NOTE: You don’t need to mount the antenna exactly on the vessel’s centerline (the closer, the better), but the antenna’s forward arrow **must** be parallel to it.

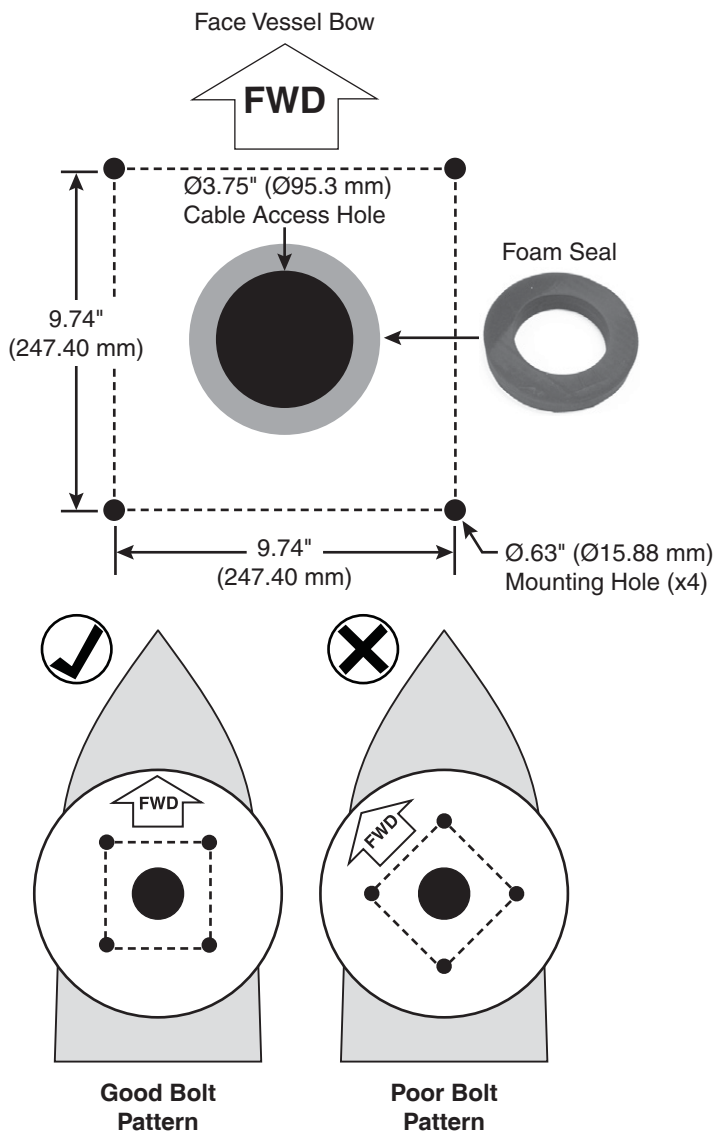
- Using a light hammer and center punch, mark the locations of the four mounting holes on the mounting surface in the locations indicated on the template.
- Drill a 5/8" (16 mm) hole at the four mounting hole locations. Later, you will insert four 1/2"-13 bolts through these holes to mount the antenna.

Cut Out the Cable Access Hole, If Needed

If you plan to route the antenna cables belowdecks through a hole directly underneath the antenna, follow the steps below.

- Using the supplied template, mark the location of the cable access hole in the center of the mounting hole pattern (see Figure 8).
- Cut out the 3.75" (95 mm) cable access hole at the location you marked in step a. Smooth the edges of the hole to protect the cable(s). Later, you will route the RF cable(s) through this hole and into the vessel.
- Clean and dry the antenna mounting surface.
- Peel off the paper backing from one of the supplied foam seals to expose the adhesive. Then press the foam seal down firmly onto the mounting surface, ensuring the hole in the foam seal aligns with the cable access hole in the mounting surface (see Figure 8).

Figure 8: Antenna Mounting Holes Layout



5 Prepare the RF Cables

Determine the necessary type of RF cable(s) and connectors you need for any RF cables that are required in addition to what is supplied in the antenna kit (see Figure 9 and Figure 10). Then follow the guidelines and steps below to prepare and route the cable(s).

IMPORTANT!

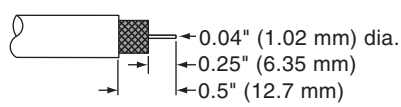
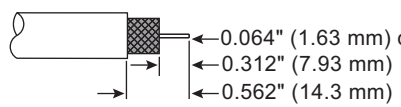
- You **must** use an RG-11 cable to connect RF1.
- Do not reuse old RF cables from a previous antenna installation. The RF1 cable between the TV-Hub and the antenna carries not only satellite signal, but power and data as well. Therefore, the integrity and reliability of this cable is critically important.
- RF cables must be rated for 75Ω, not 50Ω.
- Use of any cables not specified in Figure 10 will void the warranty.
- Low-quality, poorly terminated, or improperly installed RF cables are the most common cause of system problems. Terminate all RF cables with high-quality “F” connectors using the proper stripping/ crimping tools, exactly to the manufacturer’s specifications.
- When determining cable lengths, be sure to account for an adequate service loop, approximately 14" (36 cm) at both ends of each cable.

Figure 9: Number of RF Coax Cables to Connect to Antenna

LNB Type	# of Receivers	RF Cables
Stacked Circular or Sky Mexico	1	1
	2 or more	1*
DIRECTV L.A. Circular	1	1
	2 or more	2*
Linear Universal Quad	1, 2, 3, or 4	1, 2, 3, or 4
	More than 4	4*

* Multiswitch may be required.

Figure 10: RF Cable Requirements

RF2, RF3, or RF4 Up to 100 ft (30 m) Cable Run	
Cable	RG-6 (KVH part no. 32-0417-0100)
Connector	Belden SNS1P6 (KVH part no. 23-0170)
Tools	Augat IT1000 (KVH part no. 19-0242)
Strip Lengths	
RF1, RF2, RF3, or RF4 Up to 200 ft (60 m) Cable Run	
Cable	RG-11 (KVH part no. 32-1272-0200)
Connector	PPC Belden-brand EX Series 11 (PPC part no. EX11N716PLUS) (KVH part no. 23-0917)
Tools	PPC Belden-brand VT-200, Klein Tools 63050, Belden CST596711 or Cablematic® DDT-596/11, Klein 63050 (KVH part no. 72-0493)
Strip Lengths	

Note: LMR-400-75 is a suitable substitute.

6 Rig/Hoist the Antenna

Follow these steps to remove the shipping bolts securing the antenna to the pallet and safely rig the antenna for crane hoisting.

IMPORTANT!

The antenna's radome and baseplate have painted surfaces. Be sure to take protective measures to avoid gouging or scratching the antenna during the rigging operation.

- a. Using a 7/16" socket/ratchet or nut driver, unlock the three hex latches securing each of the antenna's service hatches (see Figure 11). Then gently lower the hatches. Now you can access the four shipping bolts securing the antenna's baseplate to the pallet.
- b. Using a 3/4" socket/ratchet or wrench, remove the four 1/2"-13 bolts securing the antenna to the pallet (see Figure 12). Then set the bolts aside.

TIP: You will use the new mounting bolts supplied in the kitpack when mounting the antenna later. However, you might wish to keep these bolts in case you need to ship the antenna later.

- c. Reinstall both antenna service hatches. Secure each service hatch using the three hex latches.
- d. Secure crane rigging appropriate for lifting the antenna to each of the antenna's four lift brackets (see Figure 13). Be sure the rigging and crane are suitably rated to safely lift the 198 lbs (89.8 kg) antenna.



WARNING

Be sure no personnel stand underneath the antenna at any time while it is suspended in the air.

- e. Carefully hoist the antenna to its mounting location.

Figure 11: Service Hatch and Hardware

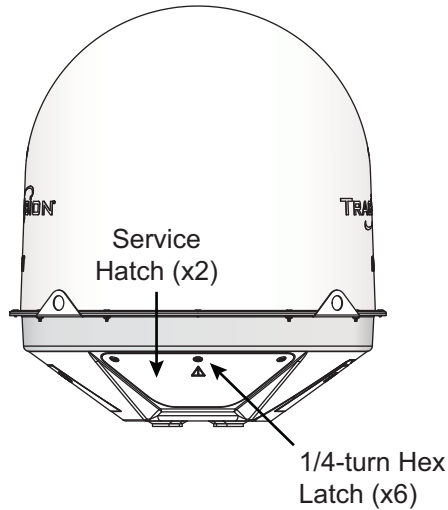


Figure 12: Shipping Bolts (Antenna Bottom View)

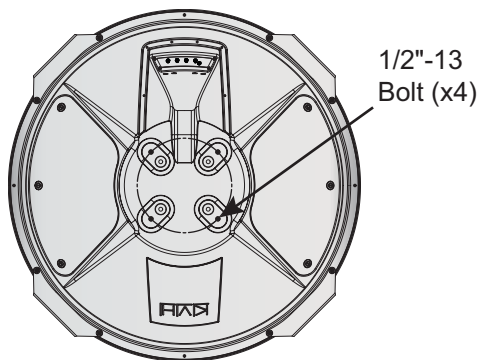
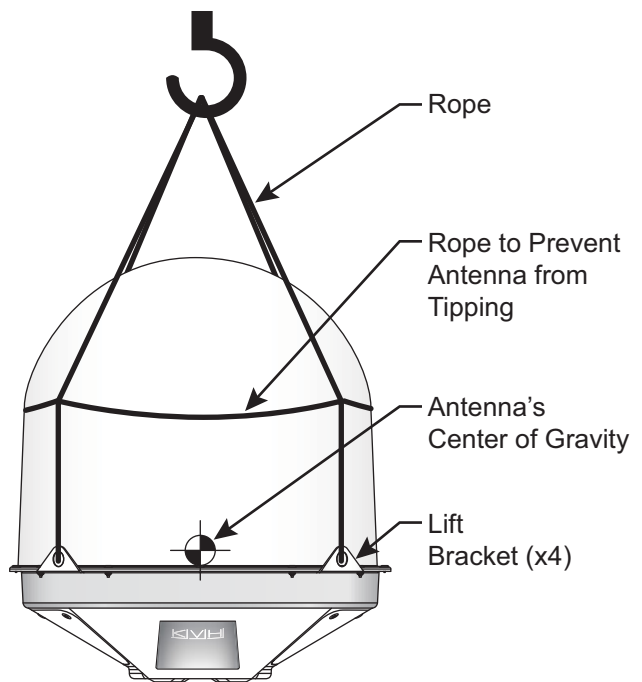


Figure 13: Antenna Crane Rigging (Example)



7 Wire the Antenna

Follow these steps to connect the antenna RF cable(s) to the antenna.

- a. Clean and dry the bottom of the antenna baseplate (see Figure 14).
- b. To access the antenna's connectors, you first need to detach the cable cover. Loosen the six #6-32 captive screws securing the cable cover to the base (see Figure 15). Then set the cable cover aside in a safe place.
- c. If you routed the cables through a hole directly underneath the antenna (see "[Cut Out the Cable Access Hole, If Needed](#)" on page 8), peel off the paper backing from the second supplied foam seal to expose the adhesive. Align the foam seal so it is centered on the antenna (see Figure 14). Then press the foam seal firmly onto the underside of the antenna.
- d. Position the antenna in place over the mounting holes with the baseplate's connectors facing the stern.
- e. Clean and dry the connectors on the RF cable(s) and the antenna (see Figure 16).

	CAUTION
<p>Observe the safe handling instructions in the Material Safety Data Sheet (MSDS) provided with the silicone grease.</p>	

- f. Clearly label the RF1 cable at both ends. If you connect two or more RF cables, label both ends of each cable to match the connector. This will make it easier to identify them later.
- g. Route the RF cable(s) belowdecks through the cable access hole. Leave an adequate service loop, approximately 14" (36 cm) of slack, in the cable(s) for easy serviceability.
- h. Fill half of the inner body of the RF1 cable's connector with the supplied silicone grease.
- i. Connect and **SLOWLY** hand-tighten the RF1 cable to the "RF1" connector on the side of the antenna, allowing the grease to diffuse and settle into the entire space within the connector (see Figure 16).

Figure 14: Foam Seal on Base of Antenna

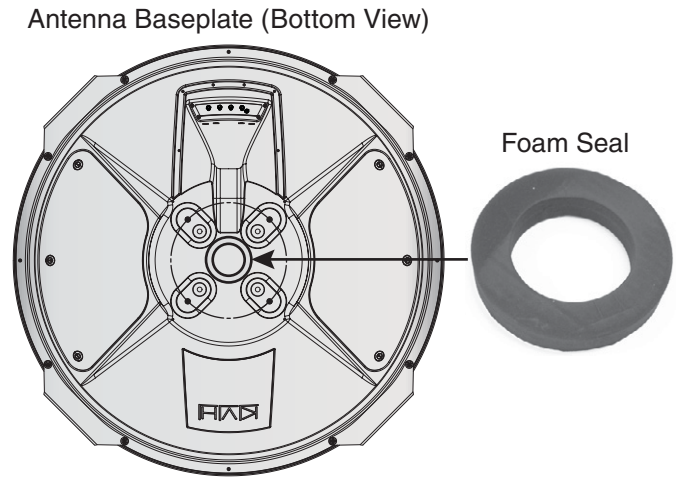


Figure 15: Cable Cover

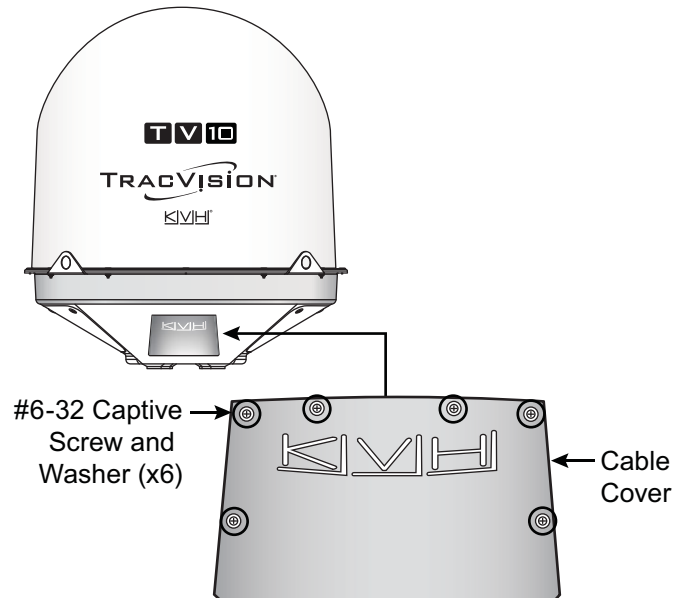
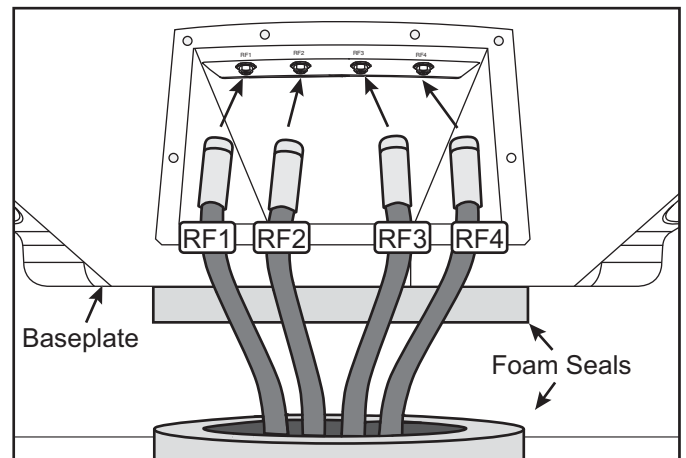


Figure 16: Cable Connections



7 Continued Wire the Antenna

- j. Make sure the RF cable is hand-tightened all the way into the connector. Then tighten it with a 7/16" torque wrench to 20 in-lbs, or a 7/16" wrench for 1/4 turn.
- k. Wipe off any excess grease from the outside of the connector.
- l. Repeat steps h-k to connect any additional RF cables to the antenna's RF2, RF3, and RF4 connectors. Later, you will connect RF1 to the TV-Hub and any other RF cable(s) to a grounding block and receiver(s).
- m. Seal the RF cable connections with silicone sealant or equivalent.
- n. Using a #1 Phillips screwdriver, reinstall the cable cover to the antenna and secure it in place with the six #6-32 captive screws and washers (see Figure 17).
- o. Secure the cables near the antenna connectors to relieve stress (such as the example in Figure 18). The cable cover is designed for aesthetics only – it does not provide any support for the cables and may become damaged if cables are not properly strain-relieved.
- p. Weatherproof and seal the cable access hole as required.

Figure 17: Cable Cover/Screws/Washers

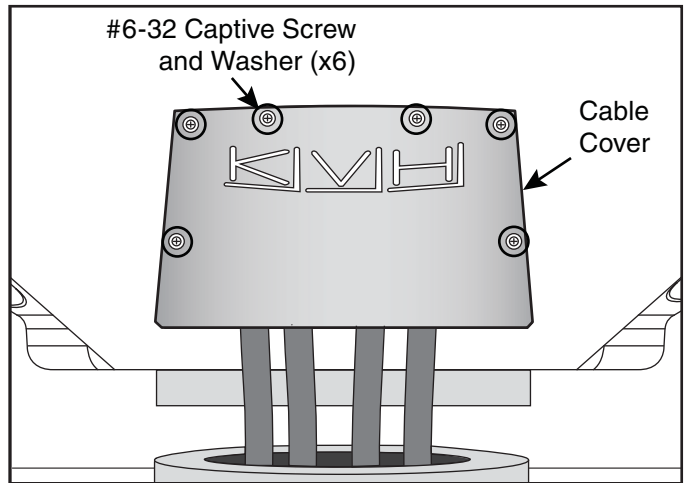
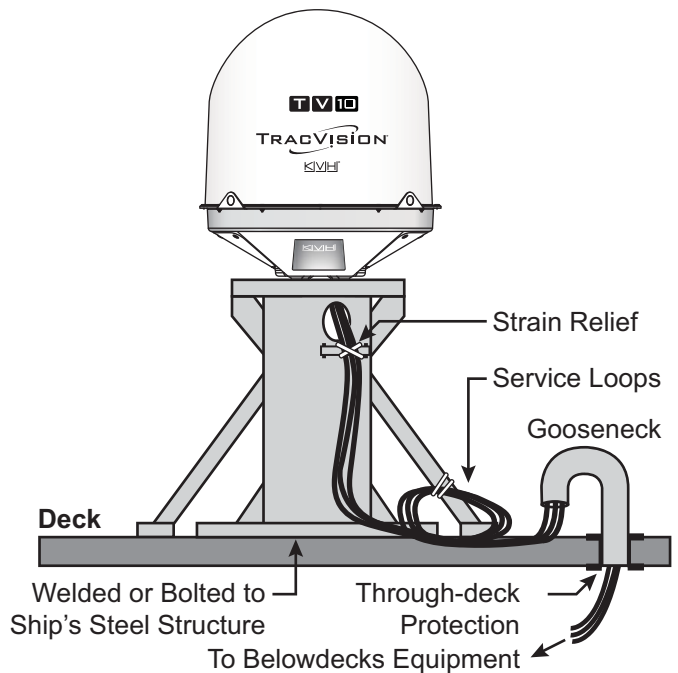


Figure 18: Strain-relief/Service Loops Example



8 Mount the Antenna

Follow these steps to mount the antenna.

- Using a 7/16" socket/ratchet or nut driver, unlock the three hex latches securing each of the antenna's service hatches (see Figure 11 on page 10). Then gently lower the hatches.
- Ensure the forward arrow points toward the bow and is **parallel** to the vessel's centerline (see Figure 19) and the cable connectors face the stern.

IMPORTANT!

If the foam seals are used, do not reposition the antenna laterally once the antenna's foam seal has made contact with the foam seal on the mounting surface. If you need to reposition the antenna, lift the antenna first to avoid damage to the foam seals.

- Carefully lower the antenna onto the mounting surface and ensure the mounting holes (and foam seals, if used) are aligned. While lowering the antenna, adjust the cables as necessary to maintain an adequate service loop, approximately 14" (36 cm) of slack.



WARNING

Be sure to observe the safe handling instructions in the Safety Data Sheet (SDS) provided with the anti-seize lubricant.

- Apply a thin layer of the supplied anti-seize lubricant to the threads of the four 1/2"-13 mounting bolts.
- At each of the four antenna mounting holes, place a 1/2" flat washer on a 1/2"-13 bolt and insert the bolt into the hole from above (see Figure 20).
- Secure each mounting bolt to the mounting surface using a 1/2" flat washer and a 1/2"-13 lock nut from below.
- Tighten the mounting bolts in a cross pattern until the four rubber feet on the baseplate are bottomed against the mounting surface. KVH recommends that you tighten the nuts to between 35 and 40 ft-lbs (47 and 54 N-m) of torque.

Figure 19: Forward Arrow in Antenna Baseplate

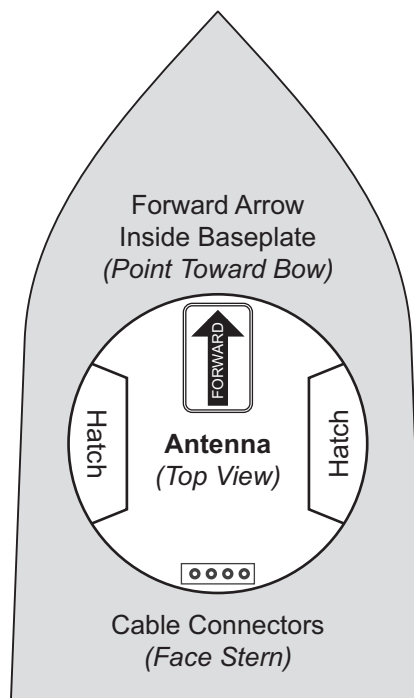
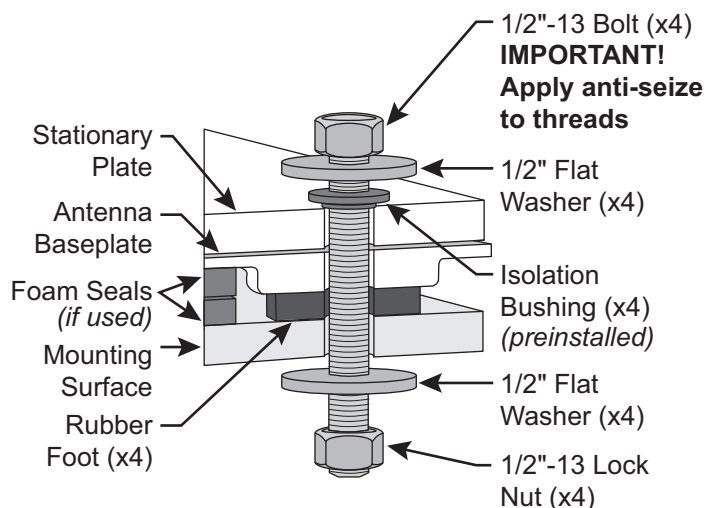


Figure 20: Mounting the Antenna (Side View)



8 Continued Mount the Antenna

- h. Disconnect the crane rigging.
- i. Using a 5/32" hex key and 1/2" open-end wrench, remove the eight screws, flat washers, and lock nuts securing the four lift brackets to the antenna (see Figure 21). Remove the brackets and hardware and set them aside in a safe place.

TIP: Be sure to save the brackets and bracket hardware in case you need to relocate the antenna later.

- j. Install eight 1/4"-20 screws and washers (supplied in kit) in place of the longer mounting bracket screws you removed in the previous step (see Figure 22).
- k. Reinstall both antenna service hatches. Secure each service hatch using the three hex latches.

Figure 21: Lift Bracket Removal

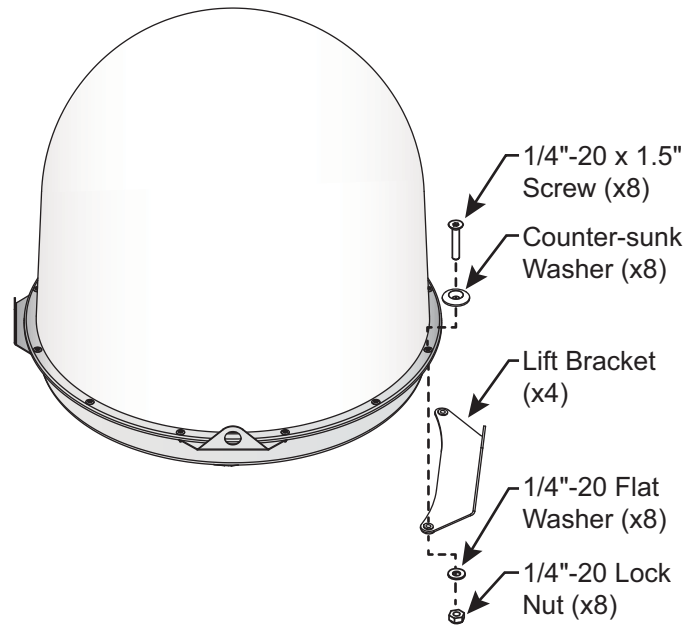
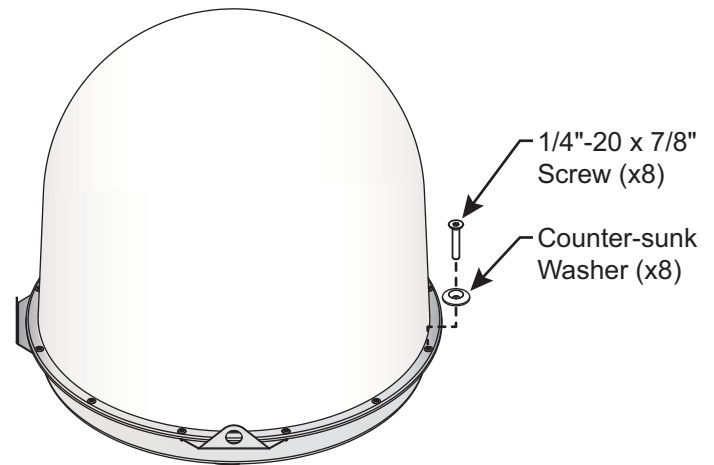


Figure 22: Radome Hardware



9 Mount the TV-Hub

Follow these steps to install the TV-Hub inside the vessel.

IMPORTANT!

Before continuing, locate the serial number on the bottom of the TV-Hub and record it on the Installation Checklist (supplied in the Welcome Kit) for future reference.

- Tape the mounting template in the location selected for the TV-Hub. Punch holes at each of the two keyhole locations and at the mounting tab location.
- Remove the template.
- Drill a 1/8" (3 mm) hole at the three hole locations you marked in step a.
- Install a #8 Phillips thread-forming screw partway into one of the keyhole holes leaving a small gap for hooking the TV-Hub onto it. Use the thickness (2.5 mm) of the M10 washer (supplied in kit) as a gauge for the size gap to leave.
- Repeat step d for the other keyhole.
- Peel off the backing on the adhesive-backed washer (supplied in kit) and place it over the mounting tab hole (see Figure 23).
- Align the wide part of the TV-Hub's keyholes, as shown in Figure 24, over the screws, then slide downwards to secure the screws into the narrow part of the keyholes.
- Press the rear mounting tab of the TV-Hub onto the adhesive washer and install the third #8 Phillips thread-forming screw in the mounting tab hole.

Figure 23: TV-Hub Mounting Template

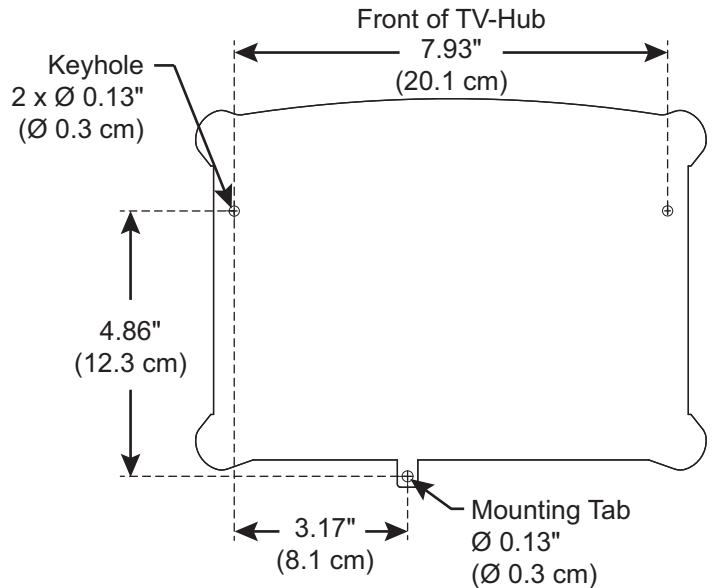
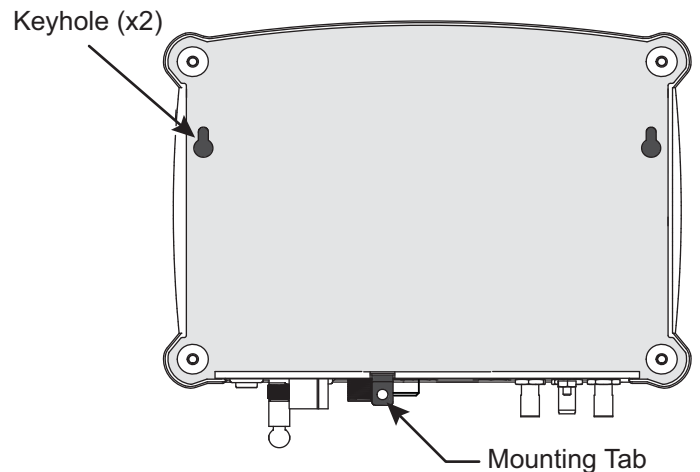


Figure 24: TV-Hub Keyholes and Mounting Tab



10 Wire the Antenna to the TV-Hub

Follow these steps to connect the antenna to the TV-Hub.

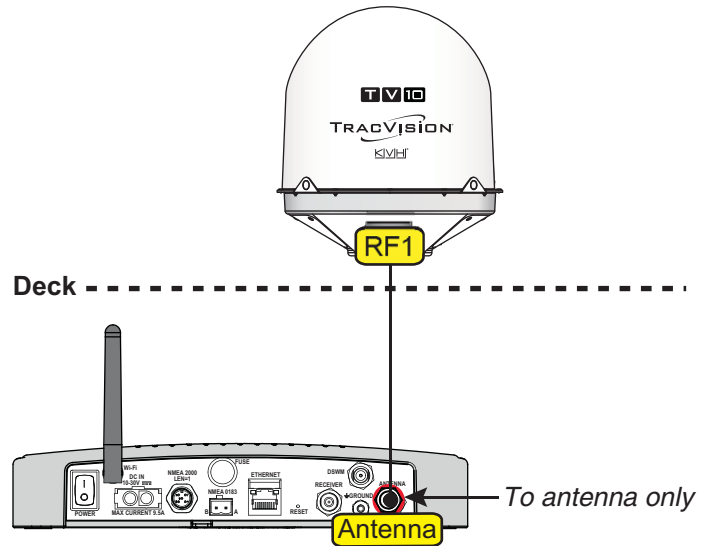
- a. Fill half of the inner body of the RG-11 RF1 cable connector, that you will be connecting to the TV-Hub, with the supplied silicone grease.

IMPORTANT!

Do not connect anything other than the antenna's RF1 cable to the "Antenna" jack. The TV-Hub supplies voltage that will damage other devices, such as multiswitches, receivers, DVRs, etc.

- b. Connect the RG-11 RF1 cable from the antenna to the "Antenna" jack on the TV-Hub (see Figure 25).
- c. Hand-tighten the RF cable until it is all the way into the "Antenna" jack. Then tighten it with a 7/16" torque wrench set to 15 in-lbs, or a 7/16" wrench 1/8 turn.
- d. Wipe off any excess grease from the outside of the connector.

Figure 25: TV-Hub Antenna Connection



11 Wire the Receivers

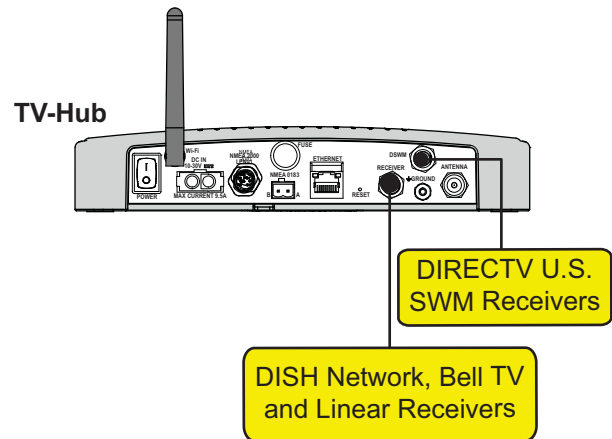
The steps for connecting the customer's receiver(s) to the TracVision system and setting them up depends upon the customer's satellite TV service (see Figure 26).

NOTE: KVH's *TracVision Configuration Wizard*, available at www.kvh.com/tvseriesconfigurator, displays a wiring diagram and parts list for all of the most common configurations.

Follow the steps in the applicable section below to wire the receivers. Then connect the receiver(s) to the customer's television(s).

- Linear..... page 18
- DIRECTV (SWM)..... page 20
- DIRECTV Latin America page 22
- DISH Network/Bell TV page 23
- Sky Mexico page 24

Figure 26: TV-Hub Receiver Connections



11 Continued Wire the Receivers

Linear Wiring

Follow these steps to connect linear receivers to the TracVision system.

NOTE: The linear universal quad LNB is required.

Connecting 1-4 Linear Receivers

- Connect an RF cable from the “Receiver” jack on the TV-Hub to the “Satellite In” jack on the first receiver (see Figure 27). *This receiver will be able to control satellite selection in Automatic satellite switching mode.*
- When connecting multiple receivers, connect a grounding block in-line with each RF cable from the antenna (see Figure 28 and “Grounding Requirements” on page 26).
- Connect the other end of the RF1 cable from the antenna to the “Antenna” jack on the TV-Hub.
- Connect any other RF cables from the antenna (RF2, RF3, and RF4) to the “Satellite In” jack on each additional receiver (see Figure 28).

IMPORTANT!

To enable any of the additional receivers to control satellite selection, install an optional IP AutoSwitch (KVH part no. 72-0634) in-line with the receiver’s RF input. See Appendix B on page 40 for details.

Figure 27: Wiring 1 Linear Receiver

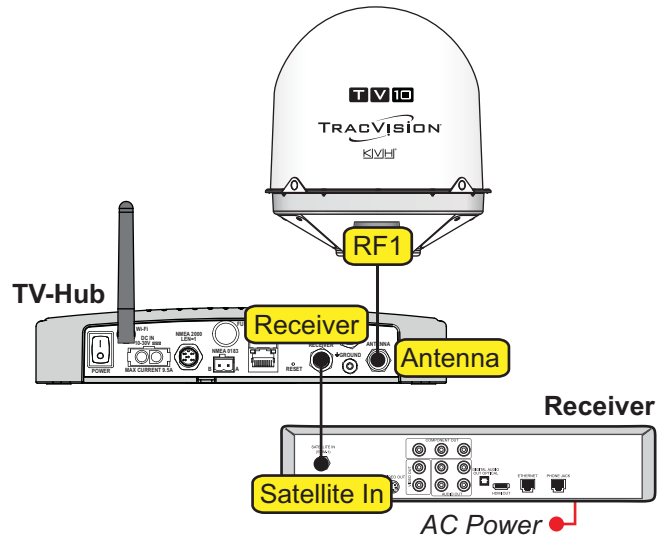
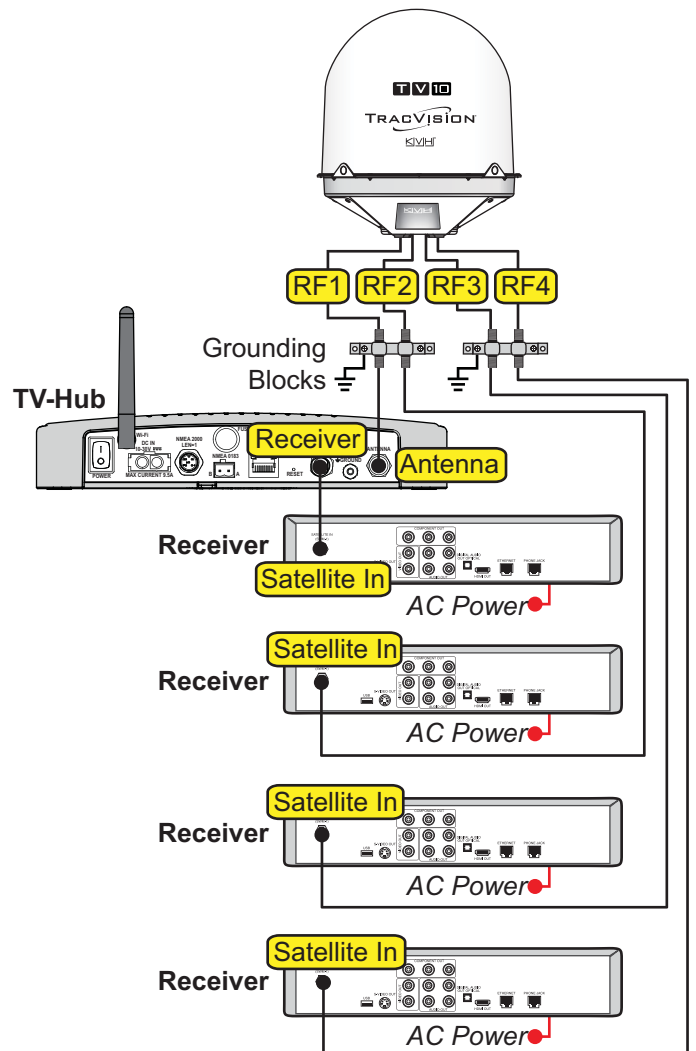


Figure 28: Wiring 2 to 4 Linear Receivers



11 Continued Wire the Receivers

Connecting 5 or More Linear Receivers

- a. Connect an RF cable from the “Receiver” jack on the TV-Hub to the “18V” jack on the multiswitch (see Figure 29).

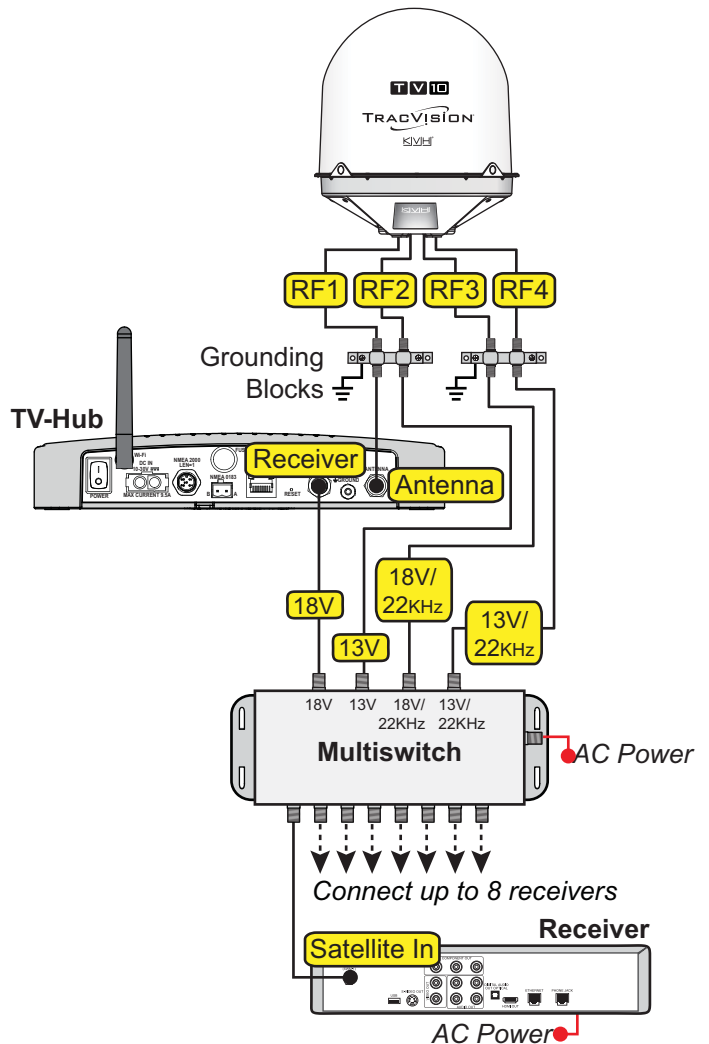
NOTE: If the desired satellite TV service is limited to channels carried on high-band transponders, connect the RF cable from the TV-Hub to one of the “22KHz” tone inputs on the multiswitch, instead of the “18V” input. In addition, since you do not need the “18V” and “13V” inputs for high-band transponders, you only need to connect the RF1 and RF2 cables to the multiswitch; RF3 and RF4 are unnecessary.

- b. Connect a grounding block in-line with each RF cable from the antenna (see Figure 29 and “Grounding Requirements” on page 26).
- c. Connect the other end of the RF1 cable from the antenna to the “Antenna” jack on the TV-Hub.
- d. Connect the RF2, RF3, and RF4 cables to the multiswitch, as shown in Figure 29.
- e. Connect each multiswitch output to the “Satellite In” jack on each receiver.
- f. Terminate any unused outputs on the multiswitch with 75Ω terminators and verify all connections are tight.

IMPORTANT!

To enable any of the receivers to control satellite selection, install an optional IP AutoSwitch (KVH part no. 72-0634) in-line with the receiver’s RF input. See Appendix B on page 40 for details.

Figure 29: Wiring 5+ Linear Receivers



11 Continued Wire the Receivers

DIRECTV – SWM Wiring

Follow these steps to connect DIRECTV SWM receivers to the TracVision system.

NOTE: The stacked circular LNB (supplied in kit) is required. Refer to “Installing a Circular LNB” on page 36.

Connecting 1 SWM Receiver

Connect an RF cable from the “DSWM” jack on the TV-Hub to the “Satellite In” jack on the receiver/DVR (see Figure 30).

Connecting Up to 8 SWM Receivers (or 13 Tuners)

- Connect an RF cable from the “DSWM” jack on the TV-Hub to the “SWM” input on the SWM splitter (supplied in kit) (see Figure 31).
- Connect the SWM splitter’s outputs to the “Satellite In” jack on the receivers/DVRs. You can connect up to 8 SWM devices that add up to 13 or fewer tuners. Refer to Figure 31 to determine the tuners consumed by each type of device.
- Terminate any unused outputs on the SWM splitter with the supplied 75Ω terminators and verify all connections are tight.

IMPORTANT!

If you need to receive local channels on the 119W satellite, and you want the antenna to automatically switch between the 101W and 119W satellites, you need to use the DIRECTV coax network. See Appendix C on page 44 for details.

Figure 30: Wiring 1 DIRECTV SWM Receiver

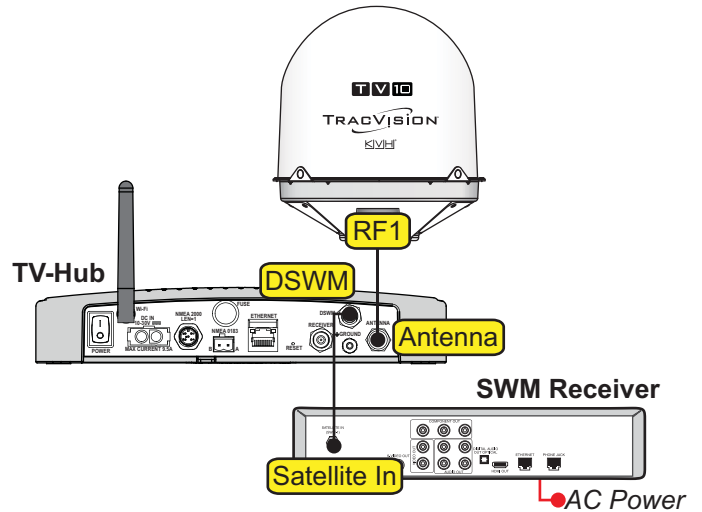
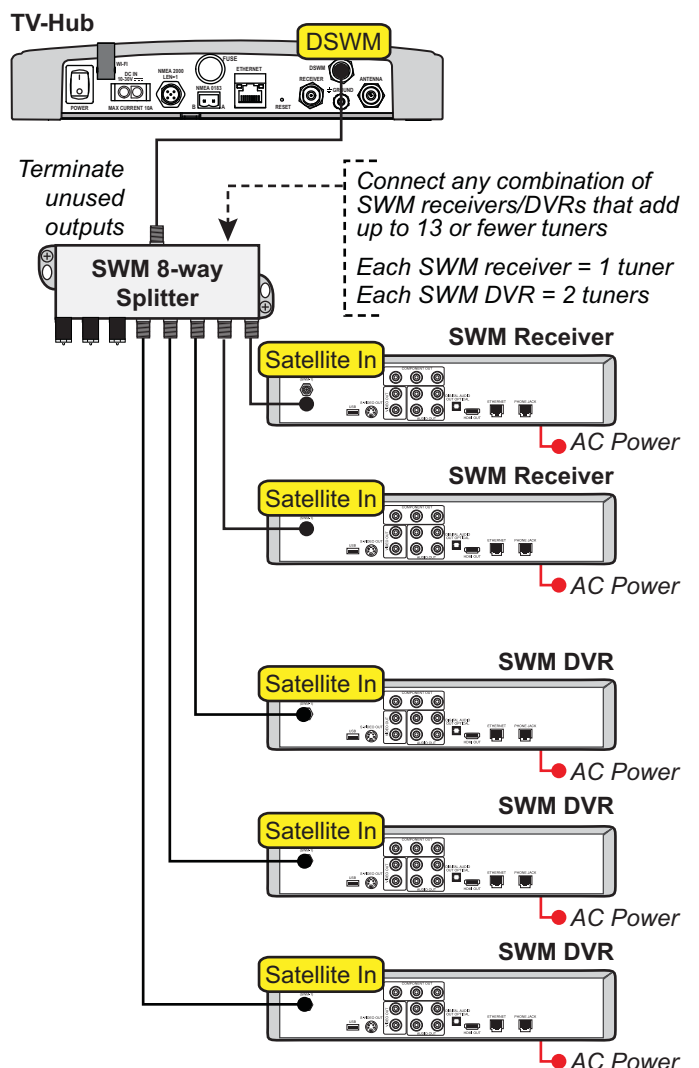


Figure 31: Wiring Up to 8 SWM Devices



11 Continued Wire the Receivers

Connecting 9-13 SWM Receivers (13 Tuners Max)

To connect more than eight SWM devices, connect an RF cable from the “DSWM” jack on the TV-Hub to the “SWM” input on an appropriate splitter (2 and 8-way SWM splitters are available as part of the TV-Hub Expansion Kit (KVH part no. 72-0844)).

IMPORTANT!

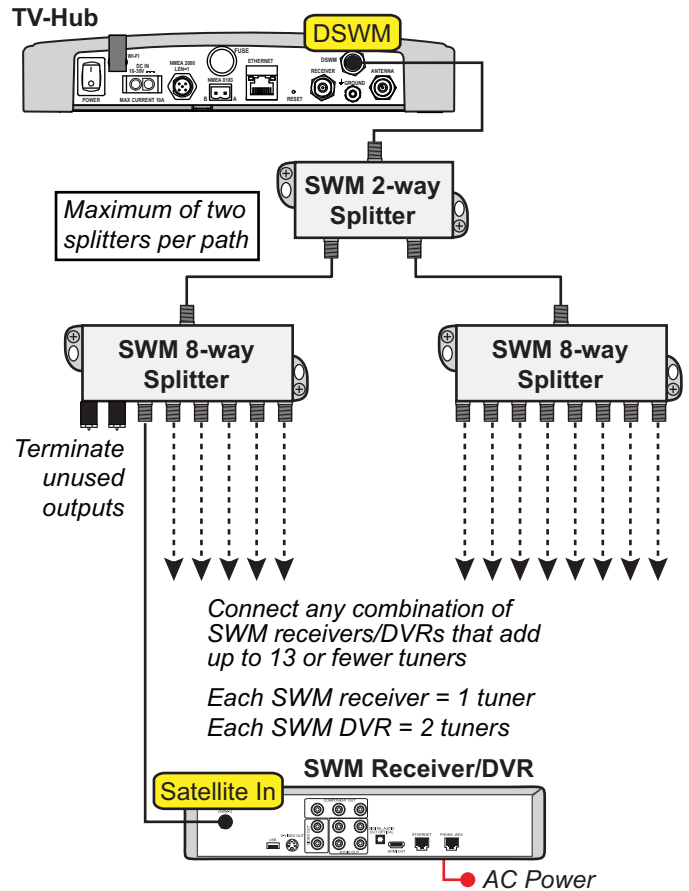
When wiring the receivers, be sure to keep the number of splits to no more than two per path.

Install up to three (total) 8-way splitters connecting no more than a total of thirteen tuners. Refer to the wiring example shown in Figure 32.

IMPORTANT!

If you need to receive local channels on the 119W satellite, and you want the antenna to automatically switch between the 101W and 119W satellites, you need to use the DIRECTV coax network. See Appendix C on [page 44](#) for details.

Figure 32: Wiring Up to 13 DIRECTV SWM Devices



11 Continued Wire the Receivers

DIRECTV Latin America Wiring

Follow these steps to connect DIRECTV Latin America receivers to the TracVision system.

NOTE: The DIRECTV L.A. circular LNB is required (KVH part no. 72-0906).

Connecting 1 Receiver

Connect an RF cable from the “Receiver” jack on the TV-Hub to the “Satellite In” jack on the receiver (see Figure 33).

Connecting Multiple Receivers

- Run a second RF cable (RF2) from the antenna (see “Wire the Antenna” on page 11). Be sure to connect a grounding block in-line with the RF1 and RF2 cables from the antenna (see Figure 34 and “Grounding Requirements” on page 26).
- Connect the RF2 cable from the grounding block to the “13V” jack on the power inserter (supplied in kit).
- Connect the “V-OUT” jack on the power inserter to the “18V” jack on the multiswitch (supplied in kit).

NOTE: If you need to connect more than four receivers, install a multiswitch that has more outputs. KVH offers an 8-output multiswitch (KVH part no. 72-0310).

- Set the power inserter’s switch to the “17/18V-HORZ, 13/14V-VERT” position.
- Connect the “Receiver” jack on the TV-Hub to the “13V” jack on the multiswitch.
- Connect the multiswitch outputs to the “Satellite In” jacks on the receivers.
- Terminate any unused outputs on the multiswitch with 75Ω terminators and verify all connections are tight.

Figure 33: Wiring 1 DIRECTV Latin America Receiver

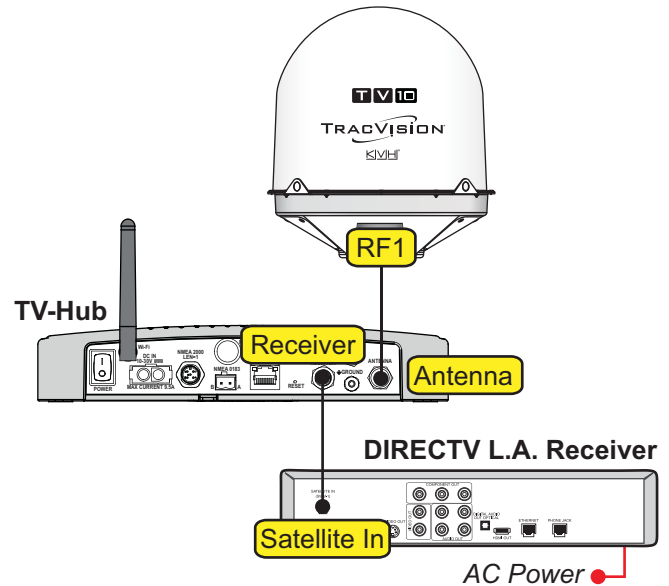
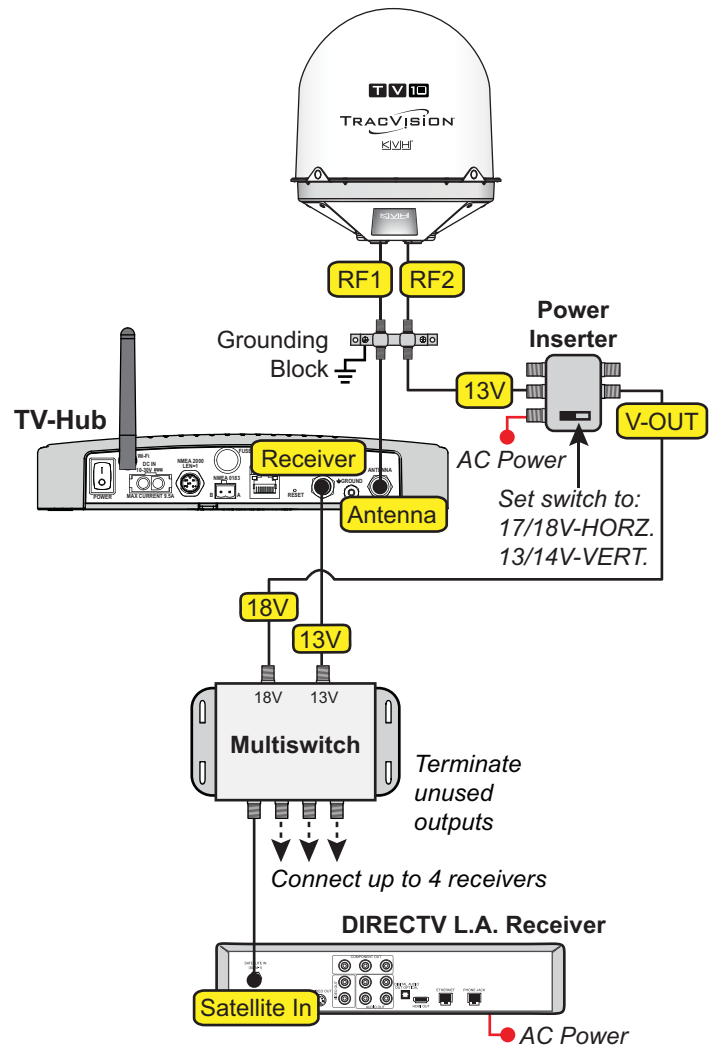


Figure 34: Wiring Multiple DIRECTV Latin America Receivers



11 Continued Wire the Receivers

DISH Network and Bell TV Wiring

Follow these steps to connect DISH Network or Bell TV receivers to the TracVision system

NOTE: The stacked circular LNB (supplied in kit) is required. Refer to "Installing a Circular LNB" on page 36.

IMPORTANT!



Receivers must be DISH Pro-compatible. Look for the DISH Pro logo on the box.

Connecting 1 Receiver

Connect an RF cable from the "Receiver" jack on the TV-Hub to the "Satellite In" jack on the receiver (see Figure 35).

Connecting 2 or More Receivers

- Connect an RF cable from the "Receiver" jack on the TV-Hub to the "Antenna" jack on the DC block splitter (supplied in kit).
- Connect the "Primary" jack on the DC block splitter to the "Satellite In" jack on the first receiver. *This receiver will be able to control satellite selection in Automatic satellite switching mode.*
- If you need to connect just a second receiver, connect the "Secondary" jack on the splitter to the "Satellite In" jack on the second receiver (see Figure 36).

If you need to connect three or more receivers, connect the "Secondary" jack on the splitter to the "18V" port on a multiswitch (see Figure 37). KVH offers a 4-output passive multiswitch (KVH part no. 72-0676) and an 8-output active multiswitch (KVH part no. 72-0310).

- When using a multiswitch, connect the multiswitch outputs to the "Satellite In" jacks on the receivers.

IMPORTANT!

To enable any of the additional receivers to control satellite selection in Automatic satellite switching mode, install an optional IP Autoswitch (KVH part no. 72-0634) in-line with its RF input. See Appendix B on page 40 for details.

Figure 35: Wiring 1 DISH/Bell Receiver

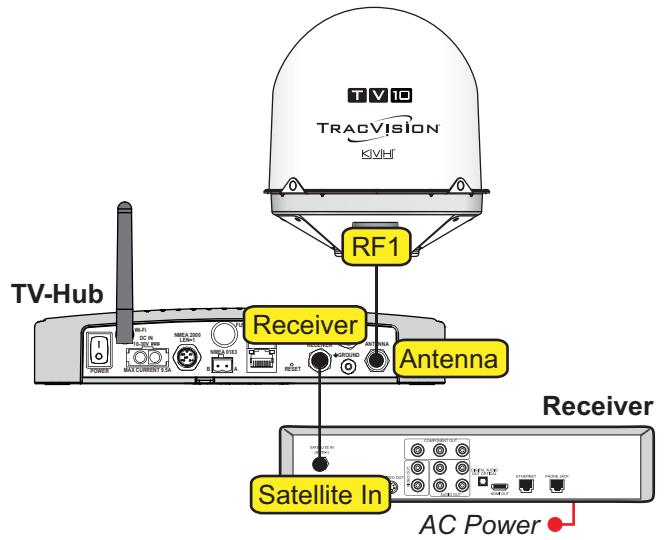


Figure 36: Wiring 2 DISH/Bell Receivers

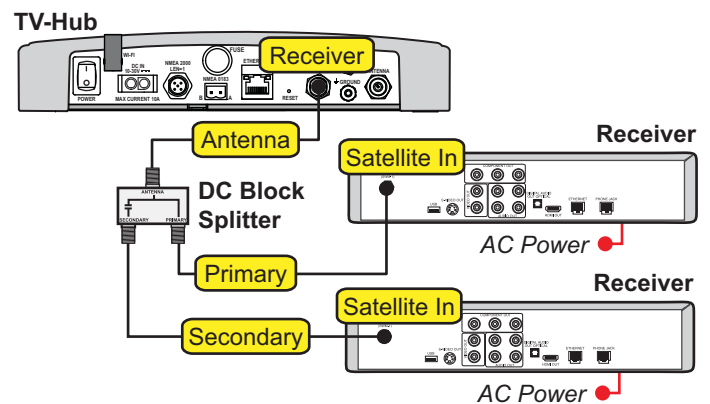
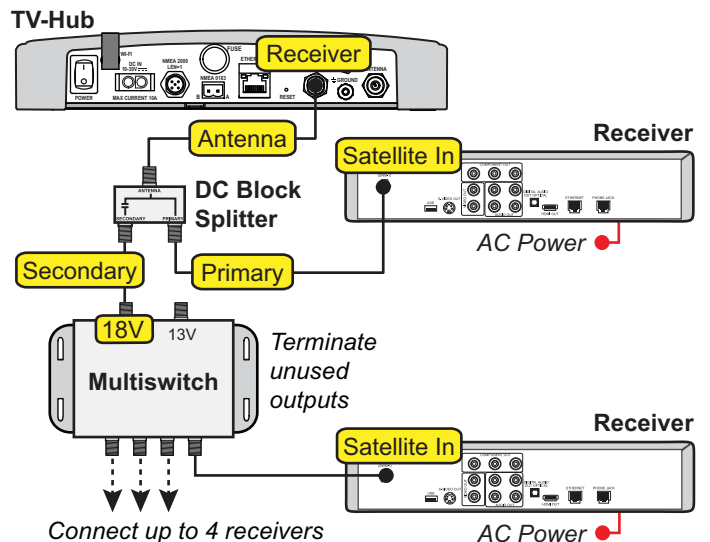


Figure 37: Wiring 3+ DISH/Bell Receivers



11 Continued Wire the Receivers

Sky Mexico Wiring

Follow these steps to connect Sky Mexico receivers to the TracVision system.

NOTE: The Sky Mexico LNB is required (KVH part no. 72-0908).

IMPORTANT!

These instructions assume you will connect to the 79°W satellite (Sky Mexico 1) for service and are **not** applicable for service obtained through the 58°W satellite.

Connecting 1 Receiver

Connect an RF cable from the “Receiver” jack on the TV-Hub to the “Satellite In” jack on the receiver (see Figure 38).

Connecting Up to 4 Receivers

- Connect an RF cable from the “Receiver” jack on the TV-Hub to the “13V” input jack on a multiswitch (see Figure 39). KVH offers a 4-output passive multiswitch (KVH part no. 72-0676).
- Using four RF cables, connect four multiswitch output jacks to the four “LNB” input jacks on a Sky Mexico Pairing Bridge (only available from authorized Sky Mexico dealers).
- Connect each receiver’s “Satellite In” jack to an available “STB” output jack on the pairing bridge.

Figure 38: Wiring 1 Sky Mexico Receiver

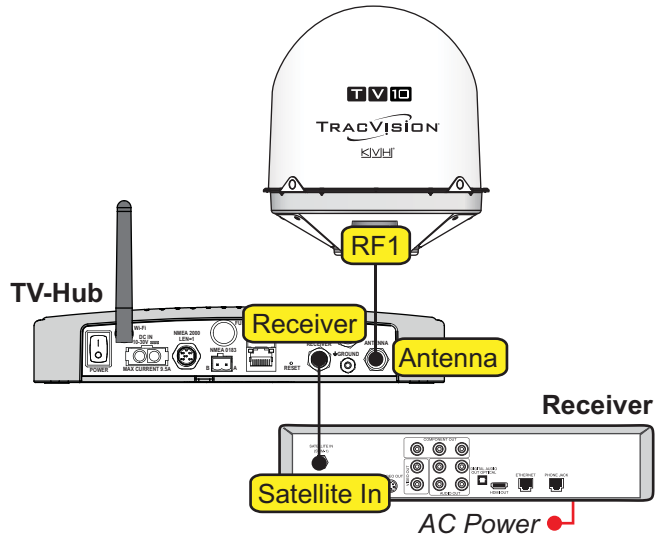
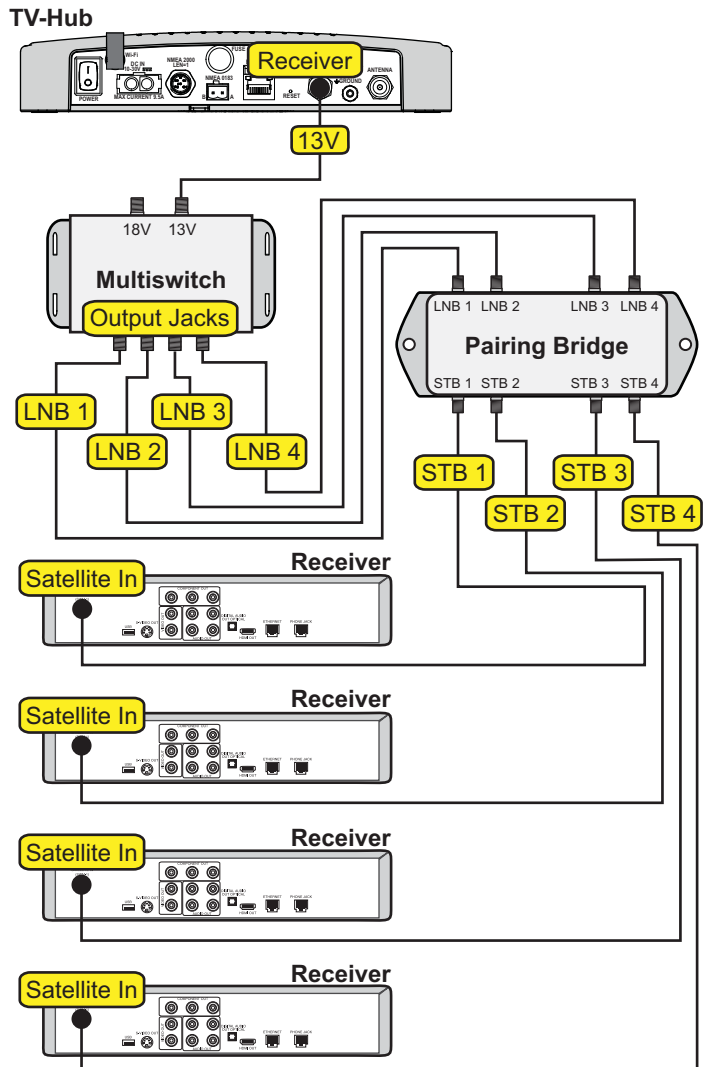


Figure 39: Wiring 1 to 4 Sky Mexico Receivers



12 Connect a NMEA Device

Optional

At the customer's request, you can connect a NMEA device to the TV-Hub, allowing the antenna to use its GNSS position and heading data to speed up satellite acquisition. The current position and heading will also be displayed on the Home page of the web interface.

NOTE: The antenna system can only use and display true heading. If only magnetic heading is input, the TV-Hub will use the current location data to convert magnetic heading to true heading. Without a built-in GPS or NMEA GNSS input, the user-entered location will be used.

Follow these steps to connect a NMEA device to the TV-Hub, if desired.

NMEA 0183

- Wire and connect the 2-position terminal strip connector (supplied in kit) as shown in Figure 40.
- Configure the NMEA device to transmit one or more of the supported NMEA 0183 messages at 4800 baud (see Figure 41).
- Make sure the data message(s) includes the checksum, identifiable by a *xx field at the end of the data sentence (e.g., \$HEHDT,123.4,T*1F). Do not exceed a 10 Hz input rate.

NMEA 2000

- Connect the TV-Hub to the vessel's NMEA 2000 CAN network backbone via a "T" connector, as shown in Figure 40. Be sure to use a standard drop cable: 5-wire (4 conductors + shield) twisted pair with micro-C connectors.
- Configure the NMEA device to transmit one or more of the supported NMEA 2000 messages (see Figure 42).

Later, you will select the NMEA source at the TracVision Setup Wizard (see ["Set Up the System"](#) on page 32).

Figure 40: TV-Hub NMEA Connections

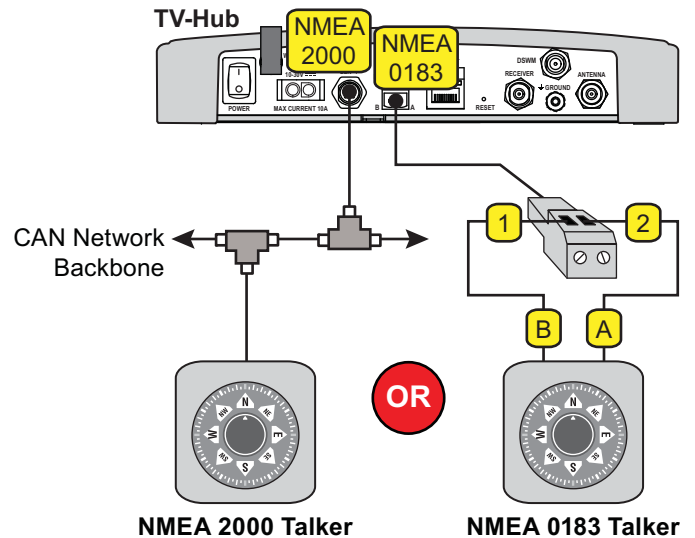


Figure 41: Supported NMEA 0183 Messages

NMEA 0183 \$--xxx	Description
HDG	Heading, Deviation & Variation
HDM	Heading, Magnetic
HDT	Heading, True
OSD	Own Ship Data
THS	True Heading & Status
VHW	Water Speed and Heading
RMC	GNSS Position Data

Figure 42: Supported NMEA 2000 Messages

PGN	Description
127250	Vessel Heading
129029	GNSS Position Data

13 Connect Power

Before connecting power, be sure the vessel is properly grounded in accordance with marine standards.

Grounding Requirements

Proper grounding of the TracVision system to ship's ground is mandatory for electromagnetic compatibility (EMC) and safety regulatory compliance. It protects the equipment from electrostatic discharges (ESD) and prevents interference with other electronic equipment. Follow these steps to ground the system.

IMPORTANT!

The TV-Hub and any grounding blocks must be connected to the ship's common ground to maintain the same electrical ground potential.

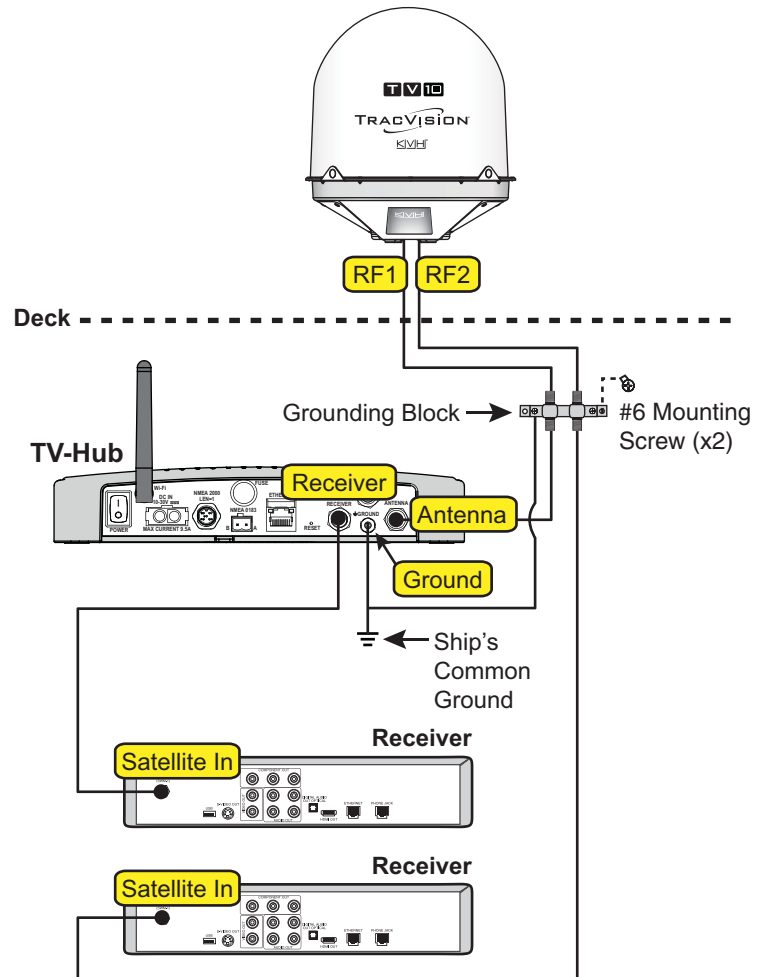
- Connect the hoop of the grounding wire (supplied in kit) to the "Ground" screw on the rear panel of the TV-Hub. Connect the other end to ship's common ground.
- If multiple RF cables are connected to the antenna, connect one or two grounding blocks in-line with all of the RF cables (a second grounding block is needed for RF3 and RF4). Attach a ground wire from each grounding block to ship's common ground. Then mount each grounding block using the two supplied #6 screws (see Figure 43).



WARNING

Failure to ground the TracVision system properly to the vessel's ground will cause an unsafe floating ground condition, risking damage to the antenna and electric shock, potentially resulting in DEATH. In a floating ground condition, the difference between the equipment's chassis ground and the vessel's ground can measure well over 100 volts, when it normally should not exceed 2 volts. Therefore, always measure the difference in potential between chassis ground and the vessel's ground to make certain that there is no dangerous floating ground condition.

Figure 43: Grounding Block Example



13 Continued Connect Power

Connect Power to the System

NOTE: When powering up a SWM configuration, apply power to all other system components before powering up the receivers and DVRs (tuners are assigned SWM channels during startup).

Follow these steps to connect power to the TracVision system (see Figure 44).

IMPORTANT!

All power connections must be hard wired.

NOTE: These instructions assume you will connect the system to AC power using the supplied AC-DC power adapter and AC power cable. Alternatively, you can connect the system to a 24 VDC power source using the supplied DC power cable (see Figure 44).

- Connect the 24 VDC AC-DC power adapter (supplied in kit) to the “DC In” connector on the rear panel of the TV-Hub.
- Connect the appropriate AC power cable (U.S. and E.U. cables supplied in kit) to the other end of the power supply.
- Connect the AC power cable plug to the vessel’s 120 VAC or 240 VAC power source (90-260 VAC 50/60 Hz).
- Check for proper grounding by using a multimeter to measure the AC and DC voltages between the ground stud on the rear of the TV-Hub and ship’s ground. The measured voltage should be less than 2 VAC and 2 VDC. **A higher voltage indicates a dangerous floating ground condition.**
- Repeat step d with the TV-Hub powered on, looking for the same measured result.

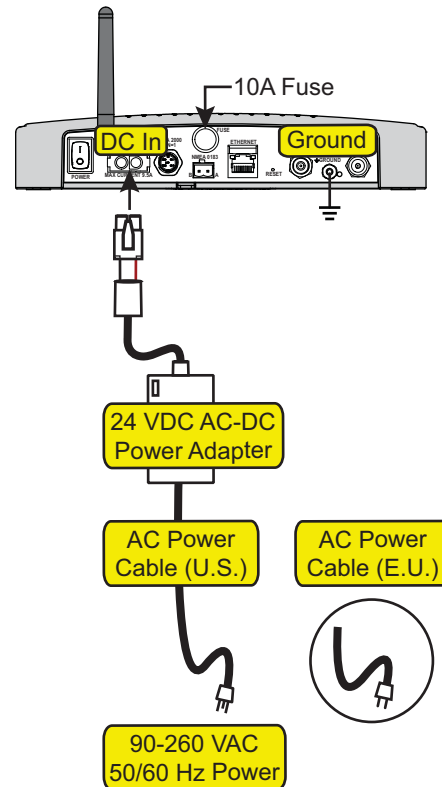


WARNING

If you measure 2 volts or greater between the ground stud on the rear of the TV-Hub and ship’s ground, notify the ship’s electrician or authorized vessel representative immediately. This is a dangerous condition. Do not touch the TV-Hub rear panel or connect anything to it until the problem is fixed.

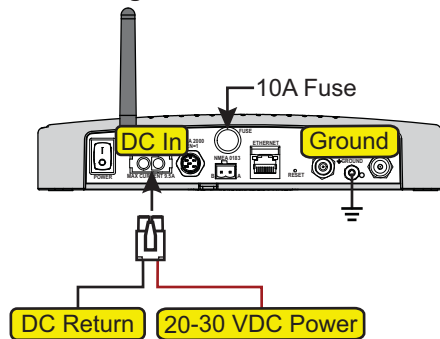
Figure 44: TracVision System Power

Connecting to AC Power



Note: Both U.S. and E.U. AC power cables are supplied in the kit.

Connecting to DC Power



14 Turn On the System

Follow these steps to turn on the system for the first time.

- a. Ensure the antenna has a clear, unobstructed view of the sky.
- b. Press the power switch on the rear panel of the TV-Hub to apply power to the TracVision system (see Figure 45).

IMPORTANT!

During startup, the TV-Hub checks the software versions installed in the antenna and updates them if necessary to match the versions it has stored for that model. All three status lights (see Figure 46) will alternate orange while this update is in progress. **Do not turn off the system during this time.** Updates might take up to 40 minutes.

- c. Within a few minutes, the TV-Hub and Power lights should be lit green (the Antenna light will be flashing green).
- d. Plug in and turn on any connected receivers, DVRs, and televisions.

Figure 45: TV-Hub Power Switch

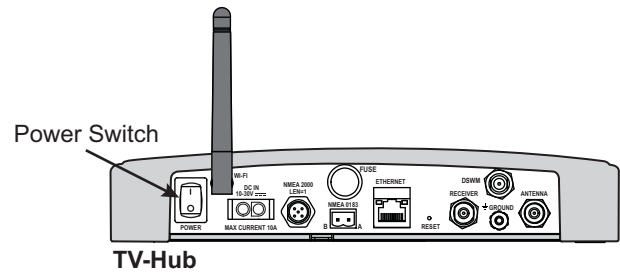
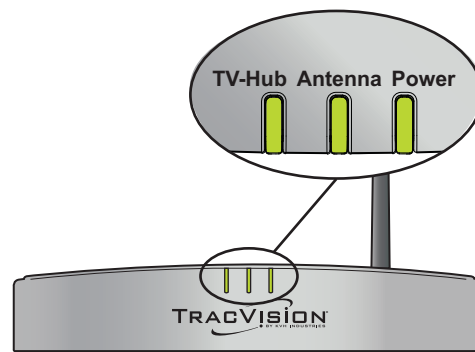


Figure 46: TV-Hub Status Lights



15 Access the Web Interface

Follow the steps for either option below to access the TV-Hub's web interface.

Option 1: Using the Wireless Connection

- Select the TVHub-<TV-Hub serial number> network from your device's Wi-Fi settings to connect to the TV-Hub (see Figure 47).
- Start your web browser and enter **http://tvhub.kvh**. If the web interface does not appear, try entering **http://172.16.0.1**, which is the default IP address of the TV-Hub.

Option 2: Using the Ethernet Connection

- Connect a laptop PC configured for DHCP directly to the "Ethernet" port on the TV-Hub (see Figure 48).
- Start your web browser and enter **http://169.254.253.1**.

NOTE: When connected to a vessel's LAN (see "Connect to an Onboard Network" on page 30), you will need to enter the IP address (dynamic or static) assigned to the TV-Hub. If your laptop has Bonjour[®] installed, you can use it to find the TV-Hub on the network without knowing its IP address.

Figure 47: Wi-Fi Connection

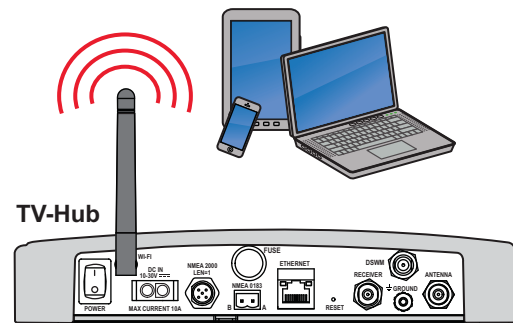
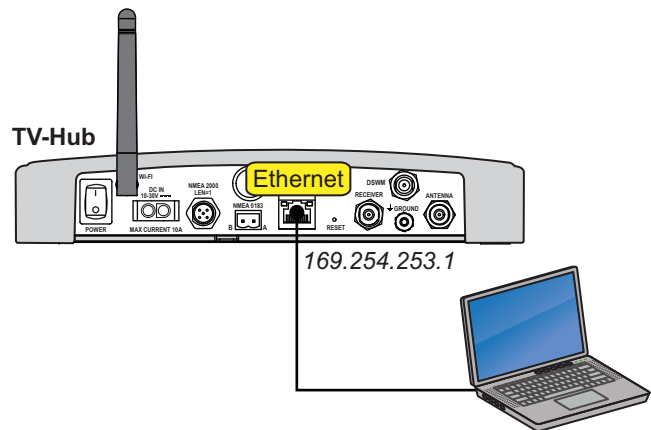


Figure 48: Wired Ethernet Connection



16 Connect to an Onboard Network

Optional

Connecting the TV-Hub to an onboard local area network (LAN) is required if any of the following conditions apply:

- One or more IP AutoSwitches are installed to enable automatic satellite switching (*Linear/DISH Network/Bell TV only*)
- Customer wants to access the TV-Hub's web interface using any device connected to the onboard network (see Figure 49)

NOTE: Connecting the TV-Hub to the onboard network using its Wi-Fi rather than an Ethernet cable is not recommended because you lose the ability to connect directly to the TV-Hub's built-in Wi-Fi. You will always need to connect via the network.

NOTE: The Reset button on the rear panel of the TV-Hub (see Figure 50) reverts all network settings back to their original factory settings.

Wired LAN Connection

NOTE: Before connecting via wired LAN, KVH recommends that you set the TV-Hub to **Static mode** and assign a static IP address (see Figure 51). Be sure to choose a static IP address that is outside the router's DHCP range (refer to the router's user manual for details.).

- To assign a static IP address, first connect your laptop or mobile device to the TV-Hub (refer to "[Access the Web Interface](#)" on page 29).
- At the web interface, go to Settings > Network Settings.
- Connect the "Ethernet" port on the TV-Hub to the onboard network (LAN) using the supplied Ethernet cable.

IMPORTANT!

For systems with IP AutoSwitch(es), make sure they are on the same local LAN segment as the TV-Hub (see Appendix B on page 40).

For DIRECTV systems set up for automatic satellite switching, make sure the receiver(s) have IP addresses in the same subnet as the TV-Hub (see Appendix C on page 44).

Figure 49: TV-Hub Network Connections

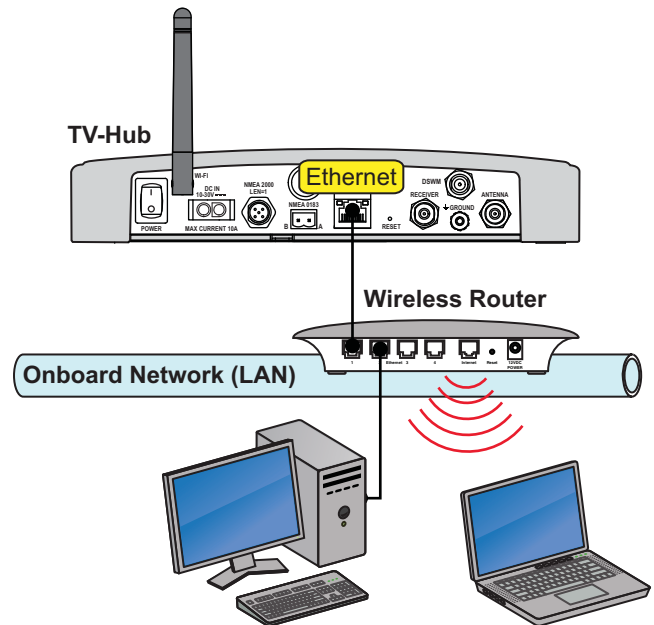


Figure 50: TV-Hub Reset Button

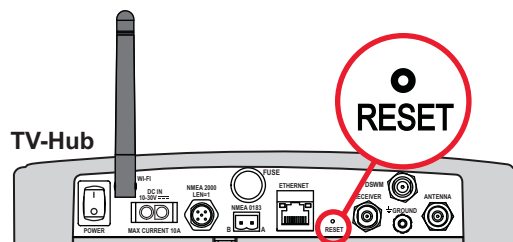


Figure 51: Web Interface Ethernet Settings

Ethernet Settings	
Mode	STATIC
IP Address	172.16.223.92
Subnet	255.255.255.0
Gateway	172.16.223.1
Broadcast	172.16.223.255

17 Secure the Wi-Fi Connection

By default, the TV-Hub's wireless settings are configured for the following:

- Wireless Mode: AP (Access Point)
- SSID: TV-Hub-<TV-Hub serial number>
- IP Address: 172.16.0.1
- Security Mode: Off

KVH strongly advises that you select the **WPA_PSK** security mode as shown in Figure 52 and assign a unique password to prevent unauthorized access to the TV-Hub (at the web interface, go to Settings > Network Settings). If you keep the default settings, you're allowing anyone to access the TV-Hub with their mobile device.

IMPORTANT!

KVH strongly recommends that you keep the TV-Hub set to AP (Access Point) wireless mode. If you select IF (Infrastructure) mode to connect the TV-Hub to your onboard network, you will no longer be able to access the TV-Hub's web interface directly.

Figure 52: TV-Hub Security and Password Setting

Wireless Settings	
Wireless Mode	AP (Access Point) ▼
SSID	TVHub-140311659
IP Address	172.16.0.1
Subnet	255.255.255.0
Gateway	172.16.0.1
Broadcast	172.16.0.1
Security Mode	WPA_PSK ▼
Password	240300659

18 Set Up the System

The Setup Wizard appears upon initial startup to step you through system configuration (see Figure 53). Before you begin to set up the system:

- Know the service provider and associated satellite(s)
- Check the latest software version (see below)
- Verify all system components are connected

Update Software and Satellite Library

Before you start the Setup Wizard, update the system software and satellite library to the latest versions. Use the KVH TracVision TV-series app, or follow these steps to use a laptop PC that has the latest update files downloaded to it from the KVH Partner Portal (www.kvh.com/partners).

- a. Select **Exit** in the Setup Wizard page. The web interface appears.
- b. At the Updates page of the web interface, select the antenna model. Then select **Install Update** (see Figure 54). Find the **.kvh** file in your downloads folder, then double-click to install.
- c. Wait for the update to complete. It may take up to 45 minutes. The TV-Hub's lights will alternate orange while the update is in progress. Once complete, the web interface will report that the latest version is installed.
- d. When the software update is complete, select the Satellite Library. Then select **Install Update**. Find the **.xml** file in your downloads folder, then double-click to install.
- e. Close the web interface. Then reopen it (see [“Access the Web Interface” on page 29](#)). The Setup Wizard will reappear since setup has yet to be completed.
- f. Select **Proceed with Setup Wizard**.

Figure 53: Setup Wizard Welcome Page

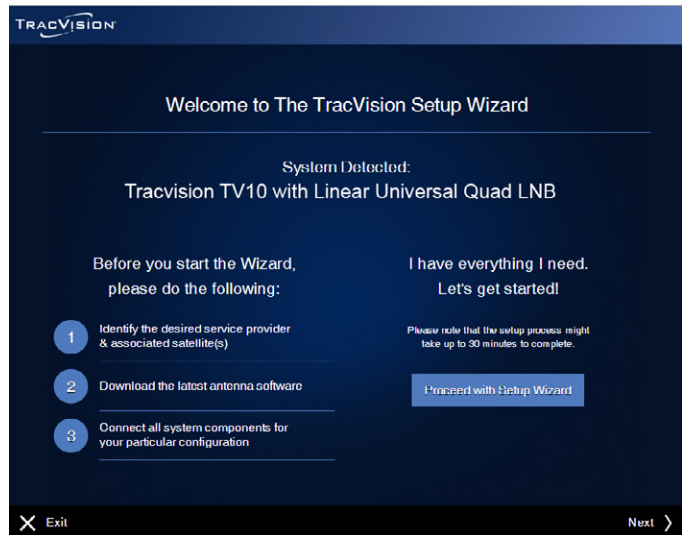
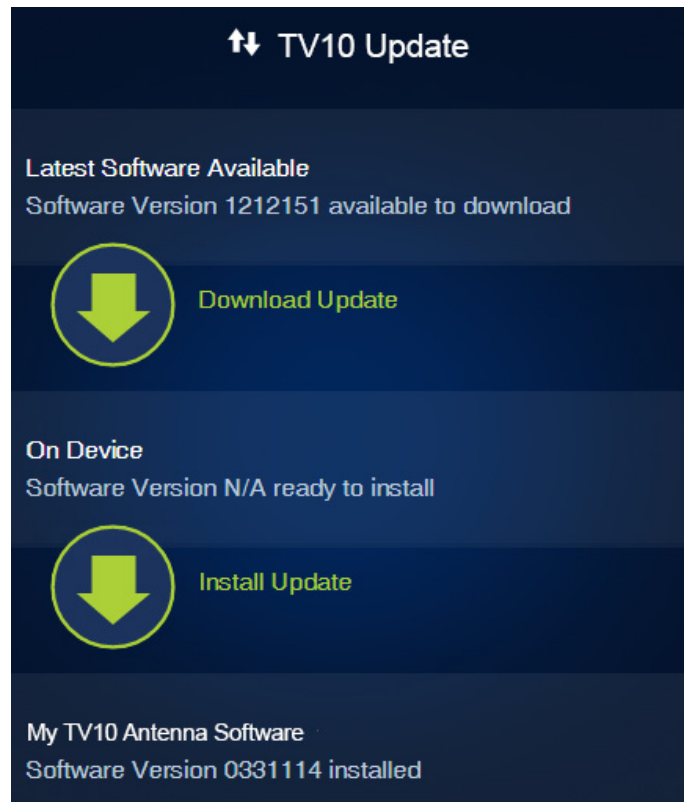


Figure 54: Software Updates Page



18 Continued Set Up the System

Setup Wizard

System configuration continues by prompting you to enter information or perform certain tasks, as necessary. For example:

- Enter installer and vessel information
- Select a backup source for GNSS position data
- Select a source for heading data (if NMEA device is connected)
- Select the satellite TV service
- Select satellite(s) to track (make your own selections or select one of the preset groups listed in Figure 55), or create user-defined satellites
- Set up automatic switching, if applicable

Additional Setup Information

Once the Setup Wizard has been completed, perform follow-up tasks such as:

- Set up receivers to operate with the system (as instructed by the Wizard)
- Activate the receivers (as instructed by the Wizard)

Figure 55: Preset Satellite Groups

Service	Satellites (A-B-C-D)
Linear	Europe 1: Hotbird, Astra1, Astra2S, Astra3 Europe 2: Astra3, Astra1, Hotbird, Astra2S Holland 1: Astra1 Holland, Astra3 Holland Scandinavia: Astra4, Thor, Hotbird, Astra1
DIRECTV U.S.	DIRECTV Dual: 101W and 119W
DISH Network	Western Arc: 110W, 119W, 129W Eastern Arc: 61W, 72W, 77W Legacy East Arc: 61W, 110W, 119W DISH 500: 110W, 119W
Bell TV	Bell TV Dual: 82W, 91W

Note: This list is subject to change.

18 Continued Set Up the System

Linear Receiver Setup for Automatic Switching

For automatic switching to work properly using the DiSEqC communications protocol, set up linear receivers for the same satellites installed in the TracVision system. Set up the satellites in the receiver in the exact same order as they were set up in the antenna. The specific setup process varies among receiver models – refer to the receiver’s manual for details. Use the table below and Figure 56 as a guide.

Satellites in Antenna	Matching Satellites in Receiver
Slot A	Port/Switch/LNB/DiSEqC 1 or A
Slot B	Port/Switch/LNB/DiSEqC 2 or B
Slot C	Port/Switch/LNB/DiSEqC 3 or C
Slot D	Port/Switch/LNB/DiSEqC 4 or D

Figure 56: Linear Receiver DiSEqC Settings (Example)

The screenshot displays the TV-Hub Web Interface for editing a satellite group named 'MyEuropeGroup'. It shows four slots (A, B, C, D) with their respective satellite names and receiver DiSEqC settings.

TV-Hub Web Interface

Edit Satellite Group

Satellite Group Name: MyEuropeGroup

Slot A: Hotbird 6,7,8 Europe - 13 E

Slot B: Astra 1 - 19E

Slot C: Astra 4A - 5E

Slot D: Eutelsat W3A - 7E

Receiver Setup

Ku_HOTBIRD 6,7A,8

LNB Type: 09750/10600
 LNB Power: 13/18V
 22KHz: Auto
 Toneburst: None
 DiSEqC1.0: LNB1
 DiSEqC1.1: None
 Motor: None

Ku_ASTRA 1H,1KR,1L,1M

LNB Type: 09750/10600
 LNB Power: 13/18V
 22KHz: Auto
 Toneburst: None
 DiSEqC1.0: LNB2
 DiSEqC1.1: None
 Motor: None

Ku_ASTRA 4A

LNB Type: 09750/10600
 LNB Power: 13/18V
 22KHz: Auto
 Toneburst: None
 DiSEqC1.0: LNB3
 DiSEqC1.1: None
 Motor: None

Ku_Eutelsat 7E


LNB Type: 09750/10600
 LNB Power: 13/18V
 22KHz: Auto
 Toneburst: None
 DiSEqC1.0: LNB4
 DiSEqC1.1: None
 Motor: None

19 Educate the Customer

Before you leave the vessel, test the system. Fill out the Installation Checklist (see the Welcome Kit) and return it to KVH. Refer to the instructions on the form.

Give the Welcome Kit to the customer, provide any passwords and static IP addresses you set up, and explain how to use the system. Ensure the customer understands the following.

- How to:
 - Turn on the system
 - Access the web interface
 - Switch satellites (see Figure 57)
 - Select a master receiver (see Figure 58)
 - Interpret TV-Hub status information
 - Download software and satellite library updates (using web interface and/or mobile app)
 - Perform general troubleshooting
- Keep the radome installed on the antenna at all times. The radome protects the antenna's moving parts from wind, rain, and debris.

	CAUTION
In the unlikely event that you need to remove the radome, remove power from the antenna first because the antenna's moving parts can cause injury.	

- The antenna must have a clear view of the sky to receive satellite TV. Common causes of blockage include trees, buildings, bridges, and onboard equipment (see Figure 59). Heavy rain or snow might also temporarily interrupt reception.
- Clean the antenna regularly. Dirt buildup on the radome can affect satellite TV reception.
- You must be located within the satellites' coverage area to receive TV signals. Visit www.kvh.com/footprint for coverage maps.
- Please register the system to ensure the best possible service from KVH. Visit www.kvh.com/register for details.

Figure 57: Satellite Switching Selection on Home Page

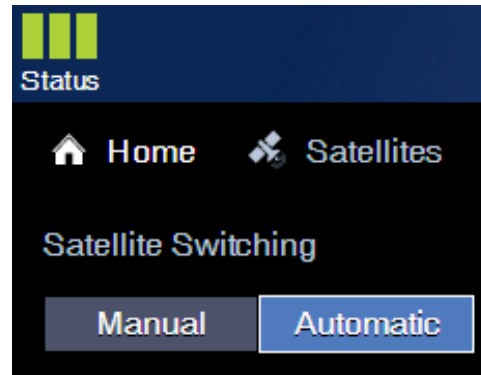


Figure 58: Master Receiver Selection

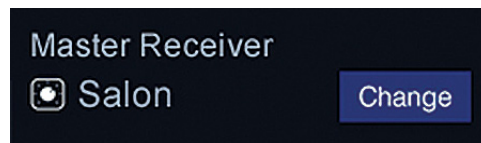
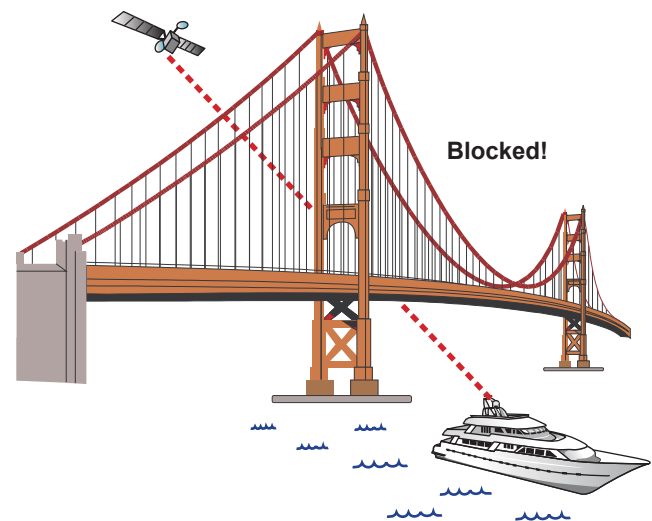


Figure 59: Blockage Example



A Installing a Circular LNB

Follow these instructions to modify the antenna for use with Bell TV, DISH Network, and DIRECTV SWM receivers by installing the supplied stacked circular LNB (Figure 60).

Tools Required

This procedure requires the following tools:

- Wire cutters
- Phillips screwdrivers
- 7/16" socket/ratchet or nut driver
- 7/16" torque wrench set to 15 in.-lbs
- 2 mm hex bit and torque screwdriver set to 11 in.-lbs
- Laptop computer with the latest software downloaded via the KVH Partner Portal, or an Apple® iOS or Android™ smartphone/tablet with the latest software downloaded via the KVH TracVision TV-series app

Initial Steps

Follow the steps below to begin the procedure by disconnecting power from the antenna and opening the hatch to access the LNB.

1. If the TV-Hub is powered on, power off and unplug the TV-Hub to disconnect power from the antenna.



CAUTION

To prevent injury, be sure to disconnect all power from the antenna before proceeding. Power must remain disconnected for the duration of this procedure.

2. If both service hatches are closed, use a 7/16" socket/ratchet or nut driver to unlock the three hex latches securing one of the service hatches to the baseplate (see Figure 61). Then open the hatch.

NOTE: If you are unable to work through the hatch, you may remove the radome instead.

Figure 60: Stacked Circular LNB

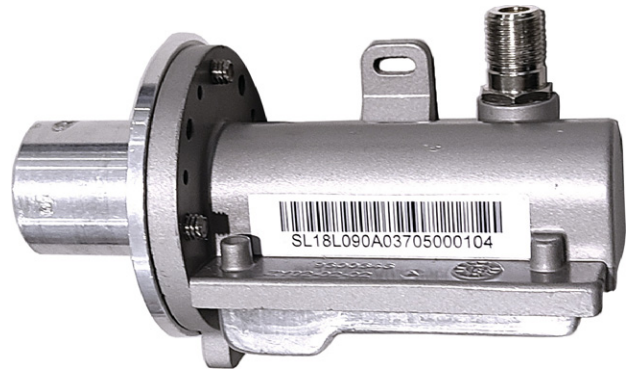
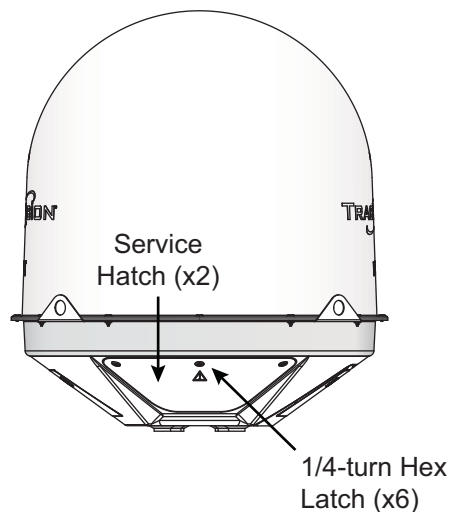


Figure 61: Service Hatches



A Continued Installing a Circular LNB

Remove the Linear Universal Quad LNB

Follow the steps below to remove the linear universal quad LNB from the antenna system (see Figure 62).

1. Using a 7/16" open-end wrench, disconnect the RF1, RF2, RF3, and RF4 cables from the LNB. To avoid stressing the cables, hold the top of the connectors with your fingers while loosening.
2. Using a 2 mm Allen hex key, loosen the three M4 set screws securing the LNB in the choke feed (see Figure 63).
3. Remove the LNB from the choke feed (see Figure 64). Set it aside for future reinstallation.

Figure 62: Linear Universal Quad LNB RF Cable Routing

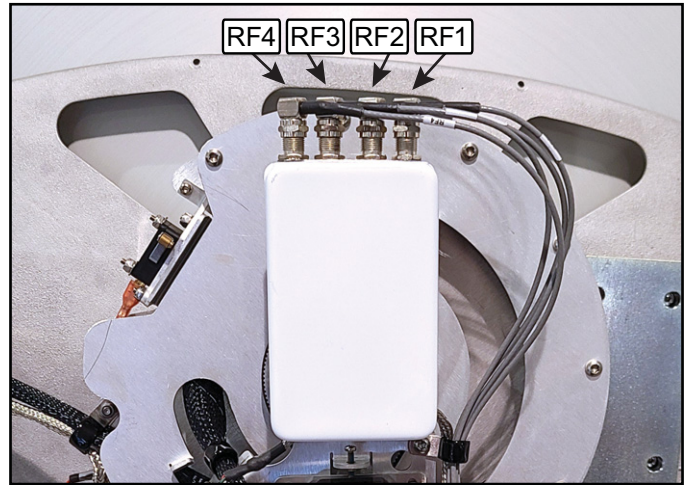


Figure 63: Set Screws

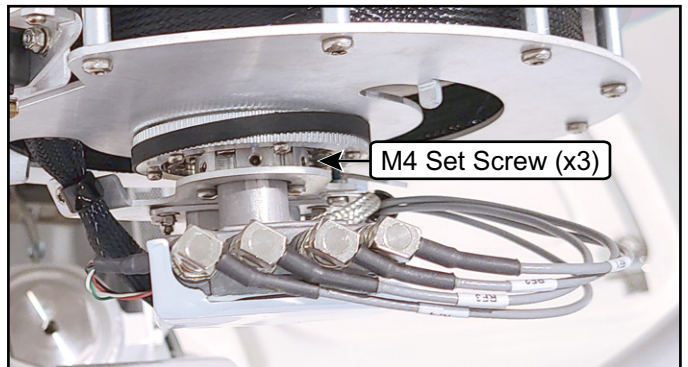
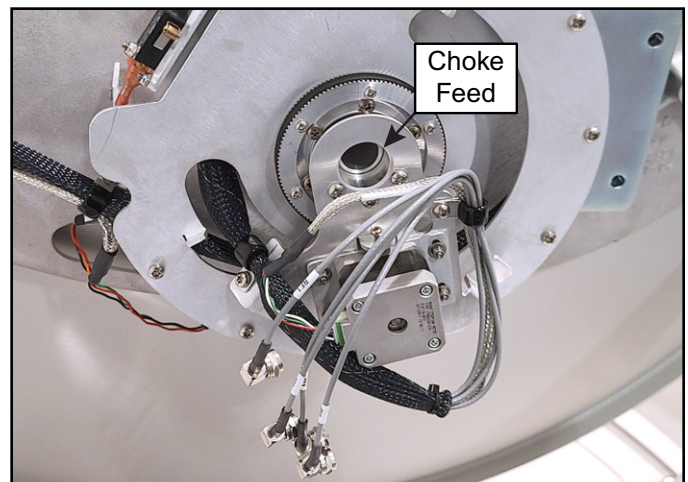


Figure 64: Choke Feed



A

Continued Installing a Circular LNB

Installing a Stacked Circular LNB

Follow the steps below to install the stacked circular LNB in your antenna system (see Figure 65).

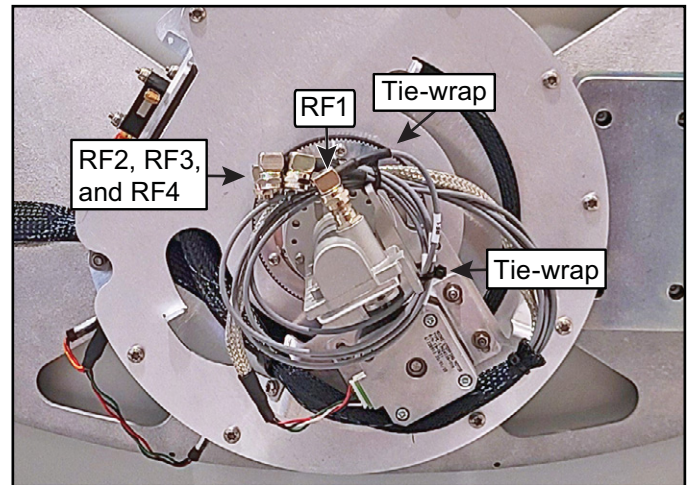
1. Insert the new LNB fully into the choke feed and orient the LNB as shown.
2. If necessary, replace any of the M4 set screws with new screws (*supplied in kit*). Then use a torque screwdriver with a 2 mm hex bit to tighten the screws to 11 in.-lbs of torque.

IMPORTANT!

Maintain a minimum bend radius of 1/2" (1.3 cm) when routing the RF cables to the LNB. Sharp bends or kinks in the cables can degrade antenna performance.

3. Connect the RF1 cable to the LNB, routing the cable as shown. Tighten to 15 in.-lbs of torque.
4. Use two tie-wraps (*supplied in kit*) to secure the RF2, RF3, and RF4 cables to the LNB.
5. Slowly rotate the skew assembly to ensure the RF cables do not restrict movement. If necessary, adjust the cable routing.
6. Inspect the inside of the antenna to make sure you have not left any tools or debris inside. Then close the hatch and lock its three hex latches.
7. If you have not already done so, connect the receivers as explained in the section [“Wire the Receivers” on page 17](#).
8. Reconnect power to the TV-Hub.

Figure 65: Stacked Circular LNB RF Cable Routing



A

Continued Installing a Circular LNB

Registering the New LNB

Follow the steps below to register the new LNB with the antenna.

1. Connect your computer or mobile device to the TV-Hub and access its web interface. Refer to [“Access the Web Interface” on page 29](#) for details.
2. If you have not already done so, update the system software to the latest version. Refer to [“Set Up the System” on page 32](#) for details.
3. At the Settings page of the web interface, set **Technician Mode** to **On** (see Figure 66).
4. From the **LNB Type** drop-down menu, choose **Stacked Circular** (see Figure 67). Then click **Select**.
5. The TV-Hub will confirm that you want to change the LNB type. Click **OK** to confirm the change.
6. At the General Settings page of the web interface (go to Settings > General Settings), run the **Setup Wizard** to select satellites and service.
7. Test the system for normal operation. If there is a problem, contact KVH Technical Support.

The procedure is complete!

Figure 66: Technician Mode

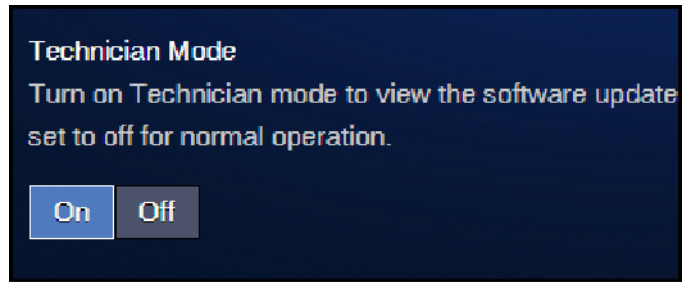
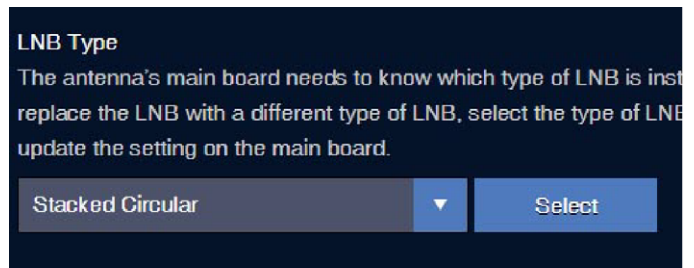


Figure 67: LNB Type Drop-Down Menu



LNB Type Drop-Down Menu



B Installing an IP AutoSwitch

Follow these steps to add an IP AutoSwitch (KVH part no. 72-0634) to each DISH Network, Bell TV, or linear receiver you want to be able to control satellite selection in Automatic satellite switching mode.

NOTE: A receiver connected directly to the TV-Hub's "Receiver" jack can control satellite selection without an IP AutoSwitch.

Inspect Parts

Follow these steps to inspect the kit contents.

1. Unpack the box and ensure it contains each of the following items:
 - 3 ft (1 m) Ethernet cable
 - 2 ft (60 cm) RF cable
 - 1.3 ft (40 cm) RF cable
 - 22 KHz tone blocker
 - Adhesive-backed Velcro strip
2. Carefully examine all of the supplied parts to ensure nothing was damaged in shipment.
3. Locate the serial number on the bottom of the IP AutoSwitch (see Figure 69) and record it on the Installation Checklist (supplied in the Welcome Kit) for future reference.

Choose a Mounting Location

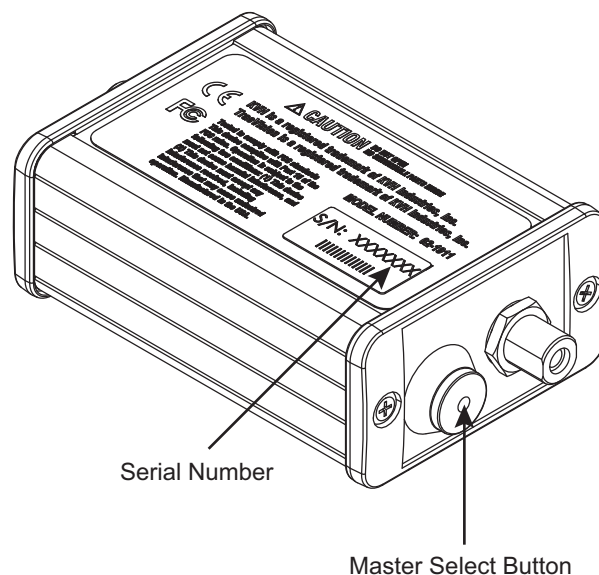
Choose a mounting location that meets the following requirements:

- Dry, well-ventilated, and away from heat sources
- Provides a clear view of and easy access to the Master Select button (see Figure 69)
- Provides adequate clearance for running the cables and allows for service loops and strain relief
- Within 2 ft (60 cm) of the associated receiver in order to use the supplied cable
- Either a horizontal or vertical surface

Figure 68: IP AutoSwitch



Figure 69: Serial Number and Master Select Button



B Continued Installing an IP AutoSwitch

Wire the IP AutoSwitch

The wiring of the IP AutoSwitch depends on the specific configuration. Refer to the wiring diagrams provided in “Wire the Receivers” on page 17 while following the general wiring steps below:

1. Disconnect the RF input cable from the receiver and connect it to the “RF In” jack on the IP AutoSwitch. Then tighten to 15 in.-lbs of torque.
2. Connect the supplied 2 ft (60 cm) RF cable from the “To Receiver” port on the IP AutoSwitch to the receiver’s satellite input and tighten to 15 in.-lbs of torque.

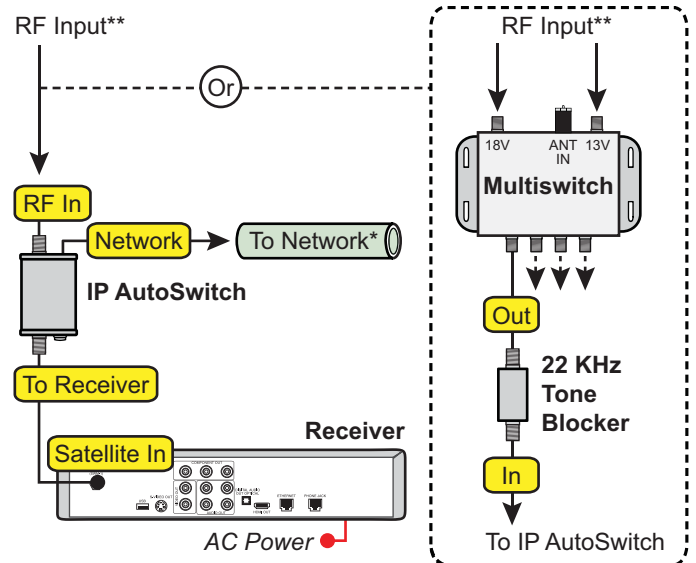
NOTE: If you are using a 3-input passive multiswitch (e.g., KVH Part No. 72-0676), install a 22 KHz tone blocker (supplied in kit) inline between the multiswitch and the IP AutoSwitch (see Figure 70).

3. Using the supplied Ethernet cable, connect the “Network” port of the IP AutoSwitch to the onboard network. If a network is not available, install a router as shown in Figure 70.

NOTE: If you are only using one IP AutoSwitch and there is no onboard network, the Ethernet cable can be connected directly to the TV-Hub’s Ethernet port without a router.

4. If not already connected, connect the TV-Hub to the onboard network (see Figure 70).
5. Using the supplied Velcro strip, secure the IP AutoSwitch to the mounting surface.

Figure 70: IP AutoSwitch Connections

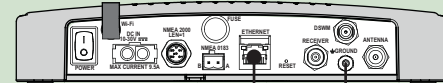


** Varies depending on your system configuration

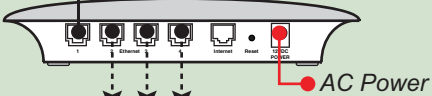
* Network Connections

Connect the TV-Hub and IP AutoSwitch(es) to your onboard network. If you do not have a network, install a router or router and switch as shown below.

TV-Hub



Router



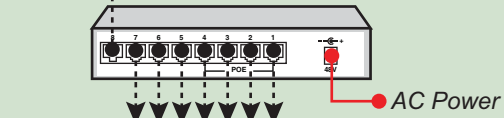
Connect up to 3 IP AutoSwitches

OR



Connect up to 2 IP AutoSwitches

Switch



Connect up to 7 IP AutoSwitches

B Continued Installing an IP AutoSwitch

Configure the IP AutoSwitch

When performing system setup (see “Set Up the System” on page 32), follow these additional steps to configure the IP AutoSwitch.

NOTE: KVH recommends that you run the Setup Wizard in the web interface whenever you change your system’s configuration by adding or removing devices.

1. At the AutoSwitch page of the web interface, select **Add IP AutoSwitch** (Figure 71).
2. Enter the serial number and choose a friendly name for the IP AutoSwitch (for example, “Salon”).
3. Select **Save** to save your changes.

Select the Master Receiver

Any receiver connected to an IP AutoSwitch can become the master receiver for the system. The master receiver controls satellite selection.

IMPORTANT!

The TV-Hub has a built-in IP AutoSwitch. Any receiver connected directly to the TV-Hub can therefore be selected as a master receiver through the web interface.

1. To choose the master receiver, select it on the Home page of the web interface, or press the Master Select button on the associated IP AutoSwitch.
2. Verify that the LED in the Master Select button on the IP AutoSwitch is lit green (see Figure 72). The LEDs for any other IP AutoSwitches should be lit orange.

Figure 71: Add IP AutoSwitch Screen

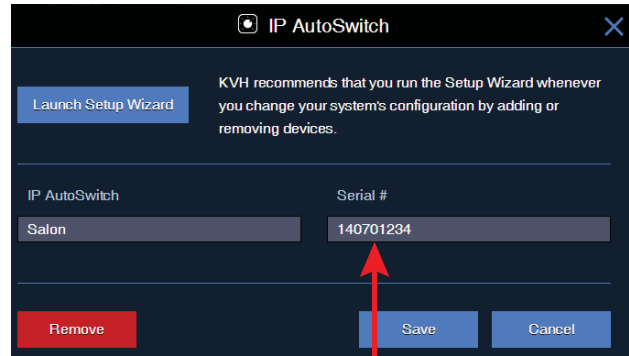


Figure 72: IP AutoSwitch LED Status Indications

LED Color	Indication
Orange	Registered with the system but not currently the master
Orange, flashing	Initializing
Red	Error: <ul style="list-style-type: none"> • unable to communicate with the system, • network is not detected, or • unable to register
Green	Registered with the system and currently the master

B Continued Installing an IP AutoSwitch

Band/Polarization Control

If your configuration consists of linear receivers connected via a multiswitch, and you installed one or more IP AutoSwitches, KVH recommends that you change the TV-Hub's Band/Polarization Control setting to **TV-Hub** (see Figure 73). You can find this setting on the Advanced Settings page of the web interface (go to Settings > Advanced Settings).

Description

TV channels can be carried on any of a linear satellite's four combinations of frequency band and polarization. Since only one of these signals can be delivered to a receiver at any one time, the receiver outputs a voltage/tone to request the band/polarization for the selected channel:

Voltage	Tone	Polarization	Band
13 VDC	Off	Vertical	Low
18 VDC	Off	Horizontal	Low
13 VDC	On	Vertical	High
18 VDC	On	Horizontal	High

Since the voltage/tone from the master receiver could differ from the voltage/tone present on the TV-Hub's "Receiver" jack, the TV-Hub will output band/polarization on that jack based on the Band/Polarization Control setting:

- **Master Receiver** (default setting): The output of the TV-Hub's "Receiver" port is the band and polarization that is currently selected by the master receiver. This setting ensures the antenna always has a valid band/polarization on which to track the satellite.
- **TV-Hub**: The TV-Hub ignores voltage/tone from the master receiver and outputs whichever band/polarization corresponds to the voltage/tone that is present on the coax cable connected to its "Receiver" port (see Figure 74). This allows a multiswitch to continue receiving all four combinations of band/polarization from the antenna.

Figure 73: Band/Polarization Control Setting

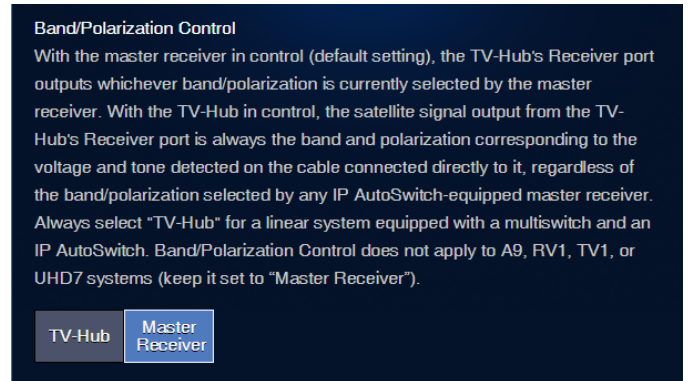
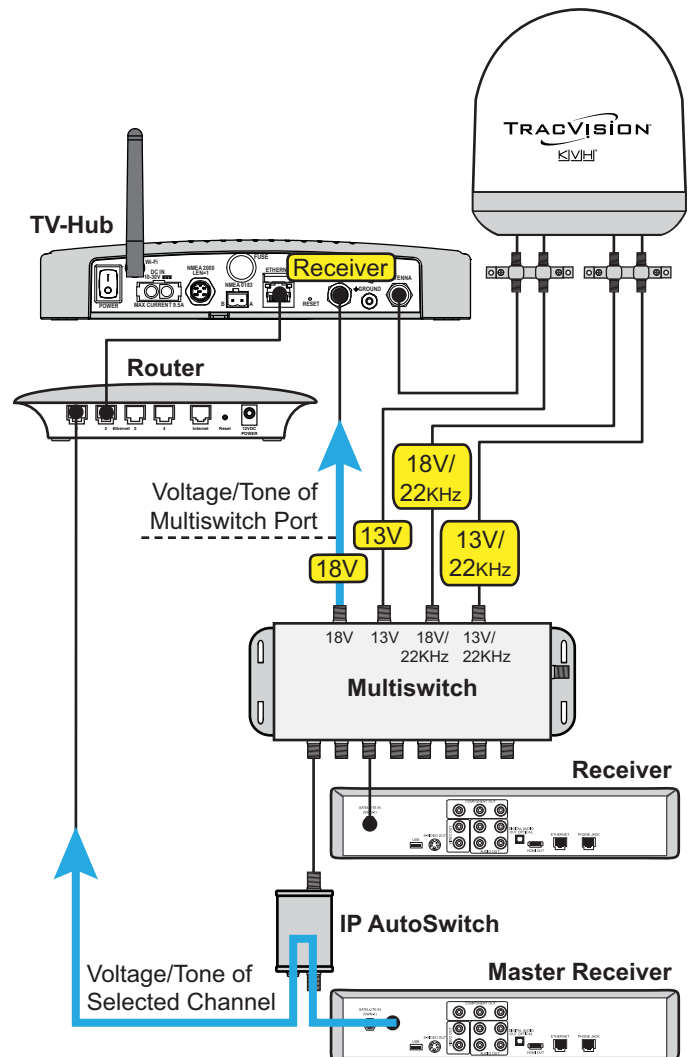


Figure 74: Linear Receivers with Multiswitch and IP AutoSwitch



C Using a DIRECTV Coax Network

In Automatic satellite switching mode, the TV-Hub can accept commands from the master SWM-compatible DIRECTV receiver to automatically switch between the 101W and 119W satellites. The TV-Hub communicates with the master receiver via the TV-Hub's Ethernet port link to the DIRECTV coax network. Follow the steps in this section to set up this communication link with SWM-compatible receivers

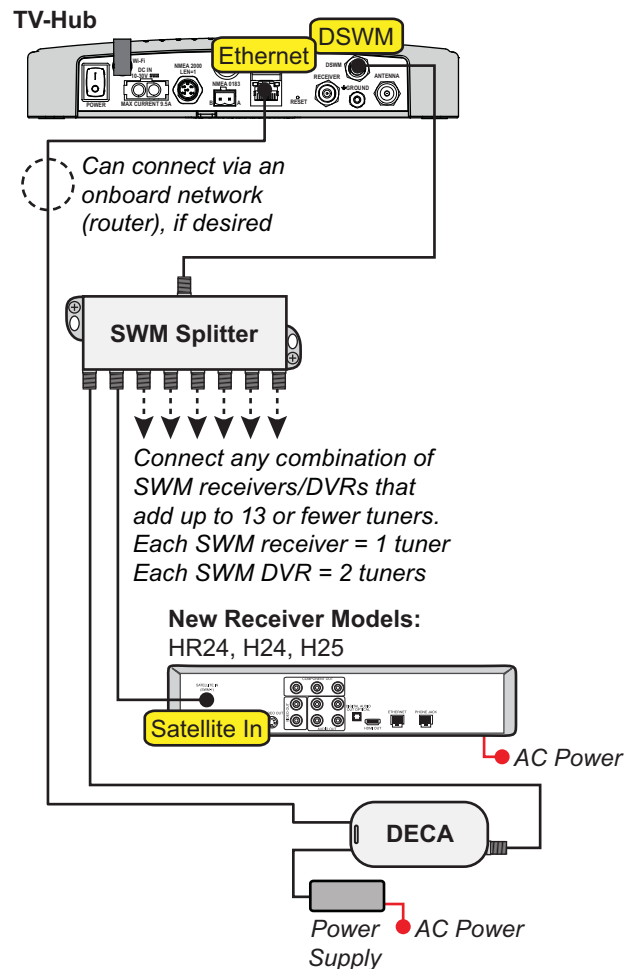
NOTE: The 119W satellite only carries local channels for certain regions of the country. (You can find a list of these regions in the Setup Wizard.) If the customer's locals are carried on DIRECTV's main 101W satellite, there is no need to switch satellites.

DIRECTV Coax Network Connections

DIRECTV uses coax networking technology, by which both satellite TV signals and network communications data are carried by the coax cables. This simplifies installation, since Ethernet cables don't need to be run to all of the receivers.

Install a DECA with power supply, collectively referred to as a DECA Broadband Kit (KVH part no. 72-0859) and formerly called a Cinema Connection Kit. When connected to the SWM splitter and the TV-Hub's Ethernet port, either directly or via an onboard router, the DECA relays messages between the DIRECTV coax network and the Ethernet network (see Figure 75).

Figure 75: DIRECTV Configuration





Continued Using a DIRECTV Coax Network

Additional Equipment for Older Receivers

In addition to the DECA Broadband Kit, you might need to connect an additional device in-line between the receiver and the SWM splitter, depending on the model (see Figure 76).

NOTE: Model HR20-100 requires additional devices not specified here. Contact KVH Technical Support.

H21, H22, H23, HR21, HR22, and HR23

These receivers do not have built-in DECA functionality, but they have an Ethernet port for network connectivity. An additional DECA (KVH part no. 19-1040) is required to support coax networking, supplying the satellite TV signal to the receiver's "Satellite In" port and network communications data to its Ethernet port. (If there are two of each port, use the "Satellite In 1" and "Ethernet 1" ports.)

NOTE: Each DECA you connect directly to a receiver is powered by the receiver. They do not require the separate power supply included in the kit.

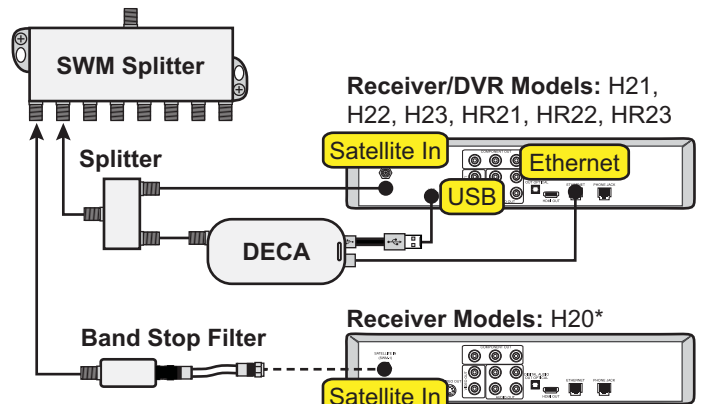
H20

This receiver is not network-ready. It is only designed to receive a satellite TV signal via its "Satellite In" port. Since both the satellite TV signal and network communications data are present on the coax cables, a band stop filter (KVH part no. 19-0868) is required to block the network data to prevent potential damage to the receiver. Since the H20 cannot communicate over the network, it cannot control satellite selection.

IMPORTANT!

Be sure to connect all band stop filters before connecting the coax cables.

Figure 76: Additional Equipment for Older Receivers



* Model HR20-100 may require additional hardware. Contact KVH Technical Support for details.

C Continued Using a DIRECTV Coax Network

Configuring the DIRECTV Receivers for Automatic Switching

To establish communications between the TracVision system and each SWM-compatible DIRECTV receiver for automatic satellite switching, you need to set each receiver to a static IP address and enter that address, along with the receiver's location, in the TV-Hub's web interface.

Static IP Address Range WITHOUT an Onboard Network

If the DECA Broadband Kit is connected directly to the TV-Hub's "Ethernet" port (no router is installed), set each receiver's IP address to any address ranging from 192.168.x.2 to 192.168.x.149, where x=1<the last 2 digits in the TV-Hub's serial number>.

For example, if the serial number of the TV-Hub is 140901484, you might assign an IP address of 192.168.184.2 (see Figure 77). Refer to the instructions in ["Assigning Static IP Addresses to DIRECTV Receivers"](#) on page 47. The TV-Hub has a hidden IP address of 192.168.x.1 reserved for automatic switching communications. This IP address is not shown on the Network Settings page of the web interface.

Static IP Address Range WITH an Onboard Network

If the TV-Hub and the DECA Broadband Kit are connected to an onboard network (i.e., router), set each receiver to a static IP address that is outside the router's DHCP range (see Figure 78). (Refer to the router's user manual for details on finding its IP address range.) For example, if the router has an IP address of 192.168.1.1 and assigns IP addresses ranging from 192.168.1.100 to 192.168.1.149 via DHCP, you could set each receiver's IP address to any address ranging from 192.168.1.150 to 192.168.1.254. Refer to the instructions in ["Assigning Static IP Addresses to DIRECTV Receivers"](#) on page 47.

Figure 77: IP Addressing for Automatic Switching (Example)

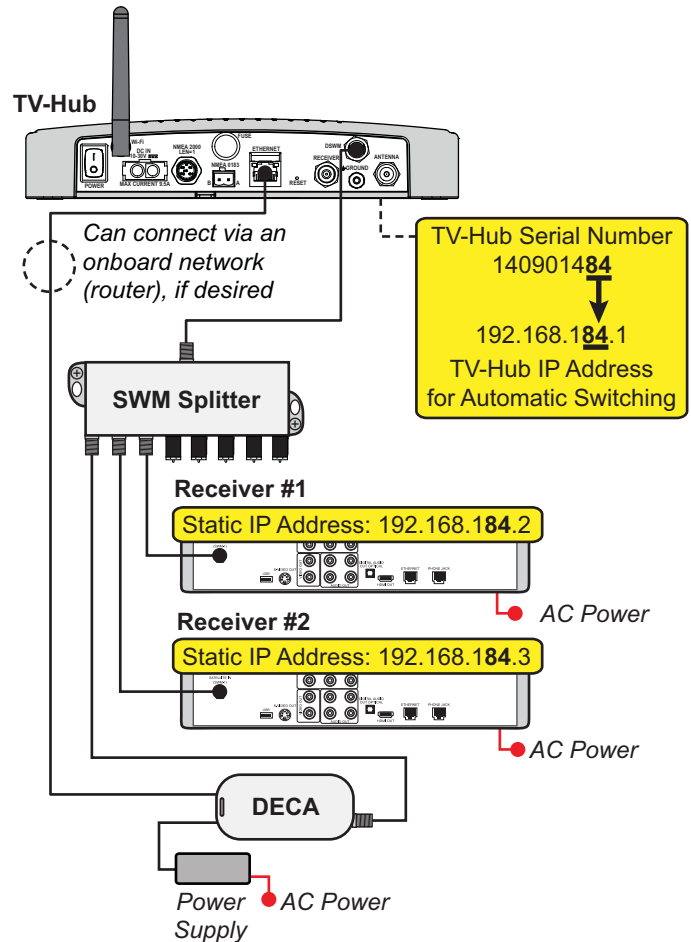


Figure 78: Router DHCP Settings (Example)

IP Address:	192 . 168 . 1 . 1
Subnet Mask:	255.255.255.0
Router Name :	Cisco76205
DHCP Server:	<input checked="" type="radio"/> Enabled <input type="radio"/> Disabled <input type="button" value="DHCP Reser"/>
Start IP Address:	192 . 168 . 1 . 100
Maximum Number of Users:	50
IP Address Range:	192 . 168 . 1 . 100 to 149
Client Lease Time:	0 minutes (0 means one day)

C Continued Using a DIRECTV Coax Network

Assigning Static IP Addresses to DIRECTV Receivers

Once you have identified a valid static IP address range for the receivers, follow these steps to assign a unique static IP address within that range to each receiver.

NOTE: These steps may vary, depending on the receiver's model and software version. Refer to the receiver's owner's manual for details.

1. Press **MENU** on the receiver's remote control to access the onscreen menu.
2. At the main menu, highlight **Settings & Help**. Then select **Settings**.
3. Highlight and select **Internet Setup**.
4. Select **Advanced Setup**.
5. Highlight and select **Advanced IP Config**.
6. Change the IP address to the new static IP address (see Figure 79).
7. **WITHOUT an Onboard Network** Enter "255.255.255.0" for the subnet mask, and enter the TV-Hub's IP address for default gateway and DNS.

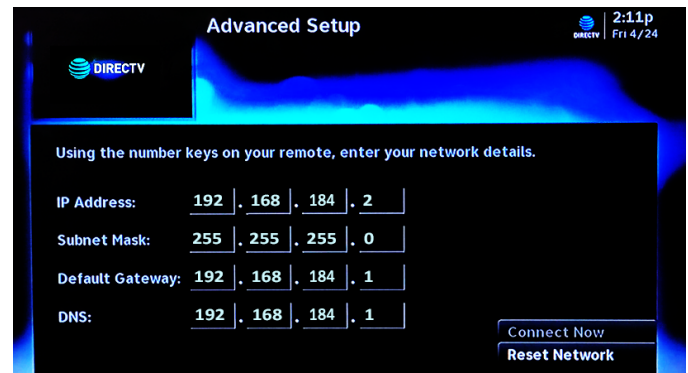
WITH an Onboard Network

Enter the router's subnet mask, and enter the router's IP address for default gateway and DNS.

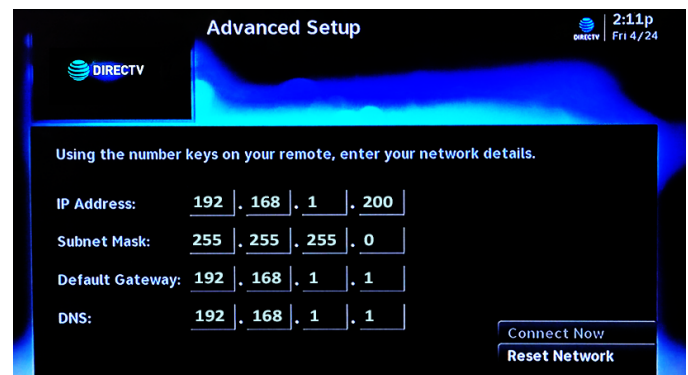
8. Highlight and select **Connect Now** to save your changes. Disregard any error messages about missing Internet connectivity. Note this receiver's IP address and location onboard for future reference.
9. Repeat this procedure for each additional receiver. Be careful not to use the same IP address twice.

Figure 79: IP Address on a DIRECTV Receiver (Example)

WITHOUT an Onboard Network (No Router)



WITH an Onboard Network (Using a Router)



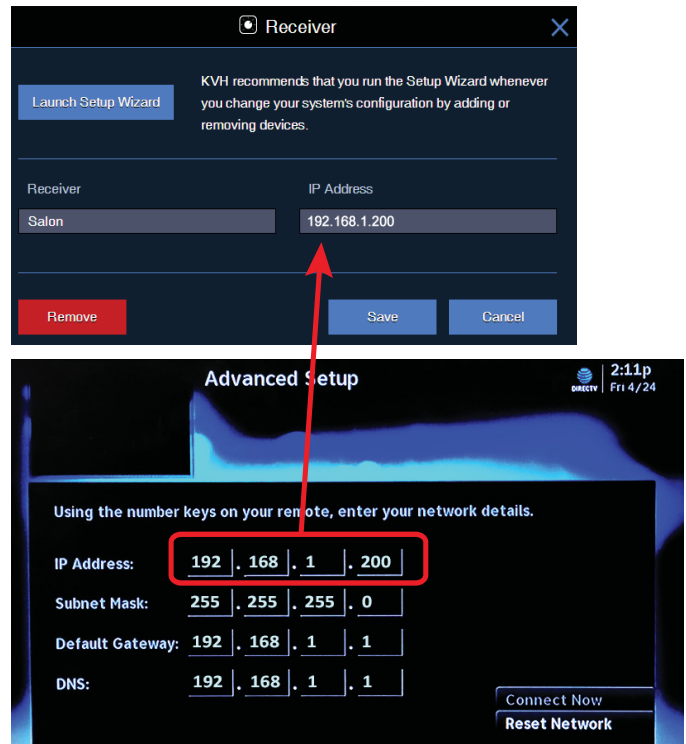
C Continued Using a DIRECTV Coax Network

10. Add the new receivers to the Autoswitch page of the web interface. Enter each receiver's static IP address and assign it a friendly name (e.g., "Salon") (see Figure 80).

IMPORTANT!

Be sure to enable external device access, as directed by the TV-Hub's Setup Wizard. If the TV-Hub is then unable to communicate with the receiver, try resetting the receiver (press its red reset button or unplug it, wait 15 seconds, then plug it back in and turn it on).

Figure 80: Adding a DIRECTV Receiver to the Autoswitch Page





REGULATORY COMPLIANCE

European Union Compliance

Hereby, KVH Industries, Inc. declares that the radio equipment type TracVision TV10 is in compliance with EMC Directive 2014/53/EU (RED). For the full text of the EU Declaration of Conformity, go to www.kvh.com/euconformity.

Federal Communications Commission Compliance



The TracVision system complies with Class B of Part 15 of the FCC (Federal Communications Commission) rules for radiated and conducted emissions.

Contains FCC ID: QQQWF111

Use Conditions:

This device complies with part 15 of the FCC Rules. Operation is subject to the following two conditions:

1. This device may not cause harmful interference.
2. This device must accept any interference received, including interference that may cause undesired operation.

Note:

This equipment has been tested and found to comply with the limits for a Class B digital device, pursuant to Part 15 of the FCC Rules. These limits are designed to provide reasonable protection against harmful interference in a residential installation. This equipment generates, uses, and can radiate radio frequency energy and, if not installed and used in accordance with the instructions, may cause harmful interference to radio communications. However, there is no guarantee that interference will not occur in a particular installation. To determine if the equipment is interfering with radio or television reception, remove or apply power to the equipment and observe if the interference goes away, or returns, when the unit is off or on. The user is encouraged to try to correct the interference by one of the following measures:

- Reorient or relocate the receiving antenna.
- Increase the separation between the equipment and receiver.
- Connect the equipment into an outlet on a circuit different from that to which the receiver is connected.
- Consult KVH for assistance.

Important:

- To meet FCC Requirements, this equipment must be installed following the steps detailed in the product installation manual.
- This equipment contains no user serviceable parts. Opening this unit will violate the warranty and may result in this equipment no longer complying with FCC requirements for Class B digital devices.





www.kvh.com



KVH Industries A/S
EMEA Headquarters
Kokkedal, Denmark
Tel: +45 45 160 180 Fax: +45 45 160 181
E-mail: info@emea.kvh.com

KVH Industries, Inc.
World Headquarters
Bristol, RI U.S.A.
Tel: +1 401 847 3327 Fax: +1 401 849 0045
E-mail: info@kvh.com

KVH Industries Pte Ltd.
Asia-Pacific Headquarters
Singapore
Tel: +65 6513 0290 Fax: +65 6472 3469
E-mail: info@apac.kvh.com