

TracPhone V30

Mounting Inside a TV5/TV6-sized Dome



The following instructions explain how to install the TracPhone® V30 antenna inside a TracVision® TV5 or TV6-sized dome.

Tools Required

In addition to all of the items provided in this kit, as well as the V30 antenna installation kit and tools list, this procedure requires the following tools and materials that are not supplied:

- Flat-head and Phillips screwdrivers
- Torque wrench and sockets
- Socket wrenches
- Electric drill and drill bit:
TV5 dome: 3/8" (10 mm)
TV6 dome: 1/2" (13 mm)
- 1.5" (38 mm) hole saw
- Light hammer and center punch
- Adhesive tape
- Shop towels
- Self-vulcanizing tape or equivalent
- Silicone sealant or equivalent

Steps

- Prepare the Mounting Site2
- Mount the TV5/TV6-sized Baseplate2
- Install the V30 Inside the TV5/TV6-sized Baseplate3

IMPORTANT!

These instructions assume that the TracPhone antenna is not already mounted to the vessel. If it is mounted to the vessel, you will first need to disconnect all power from the antenna, detach it from the mounting surface, and disconnect the cable.

Technical Support

Within Continental U.S.A.: 1 866 701-7103

Worldwide: +1 401 851-3806

Email: mvbsupport@kvh.com

KVH, TracPhone, TracVision, and the unique light-colored dome with dark contrasting baseplate (Reg. No. 2,864,752) are registered trademarks of KVH Industries, Inc. All other trademarks are property of their respective companies. The information in this document is subject to change without notice. No company shall be liable for errors contained herein.

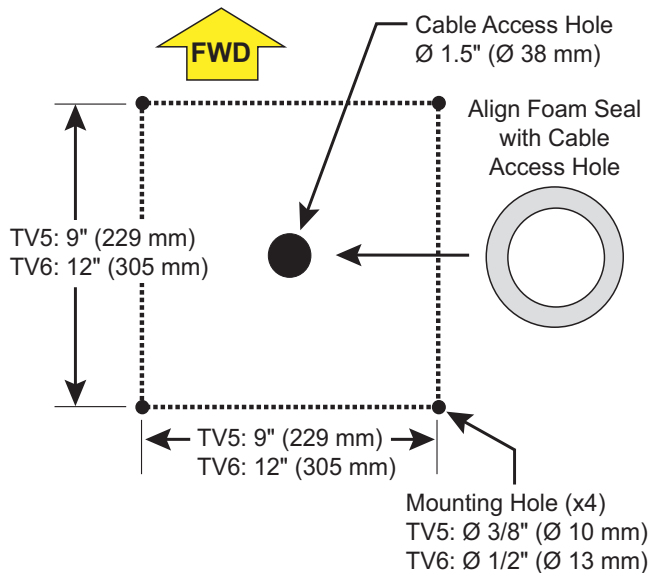
© 2021-2022 KVH Industries, Inc., All rights reserved. 54-1399 Rev. C | 72-0955-01/72-0956-01

Prepare the Mounting Site

Follow the same guidelines in the TracPhone V30 Installation Guide to choose a suitable mounting location on the vessel. Then perform the steps below to prepare the mounting site.

1. Unfold the antenna mounting template (supplied in the TV5/TV6-sized dome kit) and place it onto the mounting surface. Make sure the “FWD” (forward) arrow points toward the bow and is **parallel** to the vessel’s centerline (see Figure 1). Tape in place.

Figure 1: TV5/TV6-sized Dome Mounting Holes Layout



2. Using a light hammer and center punch, mark the locations for the four mounting holes and cable access hole on the mounting surface in the locations indicated on the template.
3. Drill the four mounting holes at the locations you marked in Step 2. Be sure to drill the correct size hole for your dome size (TV5 or TV6) (see Figure 1).
4. Cut out a 1.5" (38 mm) cable access hole in the center of the mounting bolt pattern. Smooth the edges of the hole to protect the cable.
5. Clean and dry the antenna mounting surface.
6. Peel off the paper backing from the supplied foam seal to expose the adhesive. Then press the foam seal down firmly onto the mounting surface, ensuring the hole in the foam seal aligns with the cable access hole in the mounting surface.

Mount the TV5/TV6-sized Baseplate

1. Remove and save the #10-32 screws securing the radome to the TV5/TV6-sized baseplate. Remove the radome and set it aside in a safe place.
2. Place the TV5/TV6-sized baseplate over the holes drilled in the mounting surface, making sure its Forward arrow points toward the bow and is parallel with the vessel’s centerline. The baseplate should rest squarely atop the foam seal.



CAUTION

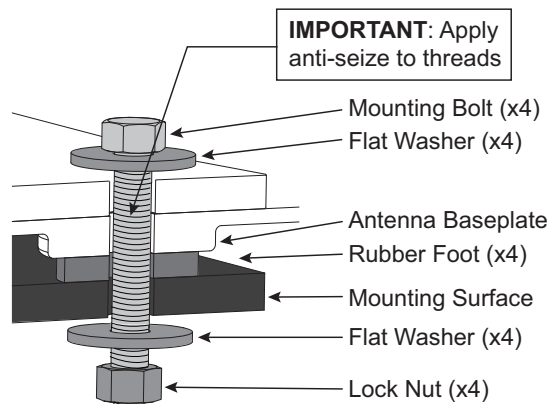
Be sure to observe the safe handling instructions in the Material Safety Data Sheet (MSDS) provided with the anti-seize lubricant.

3. Apply a thin layer of the supplied anti-seize lubricant to the threads of the four TV5/TV6 mounting bolts.

NOTE: The TV5-sized baseplate uses 1/4"-20 bolts. The TV6-sized baseplate uses 3/8"-16 bolts.

4. At each of the four baseplate mounting holes, place a flat washer on a mounting bolt and insert the bolt into the hole from above (see Figure 2).

Figure 2: Mounting the TV5/TV6-sized Baseplate



5. Secure each mounting bolt to the mounting surface using a flat washer and a lock nut from below. Tighten all four bolts until the four rubber feet on the baseplate are bottomed against the mounting surface and the foam seal is fully compressed. *For the TV5-sized dome, tighten to approximately 60 in-lbs of torque. For the TV6-sized dome, tighten to approximately 192 in-lbs (16 ft-lbs) of torque.*

Install the V30 Inside the TV5/TV6-sized Baseplate



CAUTION

Be sure to observe the safe handling instructions in the Material Safety Data Sheet (MSDS) provided with the silicone grease and threadlocker.

IMPORTANT!

You need to remove the radome from the V30 antenna to mount inside a TV5/TV6-sized dome, but do **not** remove the V30 antenna assembly from its baseplate.

1. Remove and save the #10-32 screws securing the radome to the V30 baseplate.
2. Remove the foam shipping restraints from the V30 antenna.
3. Route the antenna cable up through the cable access hole in the mounting surface and the center of the TV5/TV6-sized baseplate. Then connect it to the V30 antenna as directed in the V30 Installation Guide:
 - a. Make sure the antenna cable's connector and the cable connector on the bottom of the V30 antenna's baseplate are clean and dry.
 - b. Fill half of the inner body of the cable's male connector with the supplied silicone grease.
 - c. Connect and slowly hand-tighten the cable to the V30's baseplate connector.
 - d. Seal the cable connection with self-vulcanizing tape or equivalent.
 - e. Secure the antenna cable near the antenna to relieve stress.
 - f. Weatherproof and seal the cable access hole in the mounting surface.
4. Carefully place the V30 onto the mounting platform inside the TV5/TV6-sized baseplate. Align the V30's forward arrow with the TV5/TV6's forward arrow.
5. Apply a thin layer of the supplied threadlocker to the threads of the four 1/4"-20 V30 mounting bolts.
6. Secure the V30 antenna baseplate to the TV5/TV6 mounting platform using the 1/4"-20 bolts and flat washers. Tighten to 60-65 in-lbs of torque.
7. Reinstall the radome onto the TV5/TV6-sized baseplate. Secure in place with the #10-32 screws you removed earlier. Hide and protect the screws with the plastic screw caps.

Follow all remaining steps in the TracPhone V30 Installation Guide to complete the installation.

Figure 7: Mounting the V30 Inside the TV5/TV6-sized Dome

