

TracPhone V30/TracNet H30

24" (60 cm) Dome with Tapered Baseplate

Installation Addendum



The following instructions explain how to install the TracPhone[®] V30 or TracNet[™] H30 antenna inside the 24" (60 cm) dome, which matches the TracVision[®] TV6 and UHD7.

Tools Required

In addition to items provided in the kitpack and the items listed in the Installation Guide, this procedure requires the following tools and materials:

- Flat-head and Phillips screwdrivers
- Torque wrench and sockets
- Socket wrenches
- Electric drill and 5/8" (16 mm) drill bit
- 1.5" (38 mm) hole saw
- Light hammer and center punch
- Adhesive tape
- File
- Shop towels

IMPORTANT!

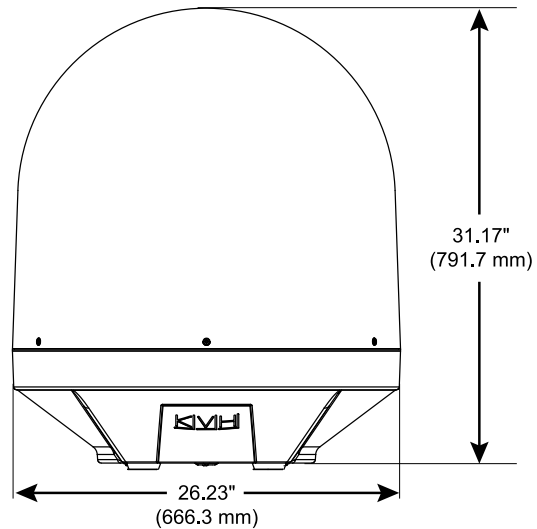
These instructions supplement but do not replace the Installation Guide. Be sure to follow all instructions provided therein that are not superseded by this addendum.

Steps

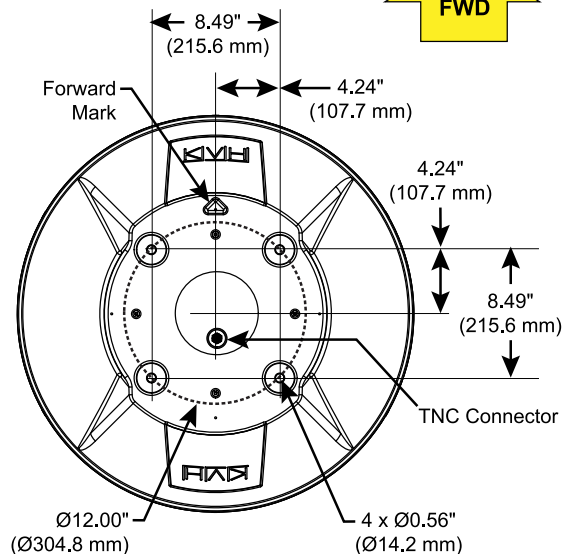
- | | |
|-------------------------------------|---|
| Prepare the Mounting Site..... | 2 |
| Remove the Shipping Restraints..... | 3 |
| Mount the Antenna..... | 4 |

Figure 1: Antenna Dimensions

Front View



Bottom View



Technical Support

Within Continental U.S.A.: 1 866 701-7103

Worldwide: +1 401 851-3806

Email: mvbsupport@kvh.com

KVH, TracPhone, TracVision, TracNet, and the unique light-colored dome with dark contrasting baseplate (Reg. No. 2,864,752) are trademarks of KVH Industries, Inc. All other trademarks are property of their respective companies. The information in this document is subject to change without notice. No company shall be liable for errors contained herein.

© 2022 KVH Industries, Inc., All rights reserved. 54-1468 Rev. A

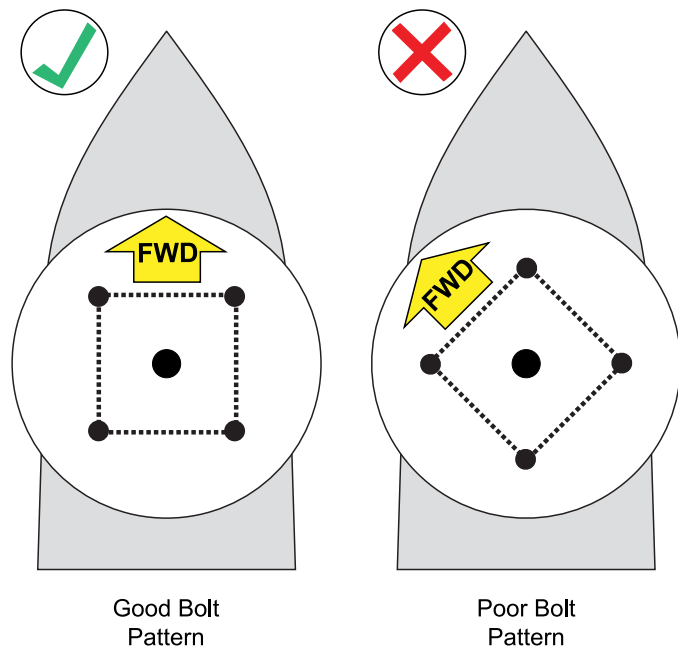
Prepare the Mounting Site

Follow the same guidelines in the TracPhone V30 or TracNet H30 Installation Guide to choose a suitable mounting location on the vessel. Then perform the steps below to prepare the mounting site.

1. Unfold the antenna mounting template (supplied in the Welcome Kit) and place it onto the mounting surface. Make sure the “FWD” (forward) arrow points toward the bow and is parallel to the vessel’s centerline.

Note: You don’t need to mount the antenna exactly on the vessel’s centerline, but the antenna’s forward arrow must be parallel to it.

Figure 2: Mounting Bolt Hole Pattern Examples

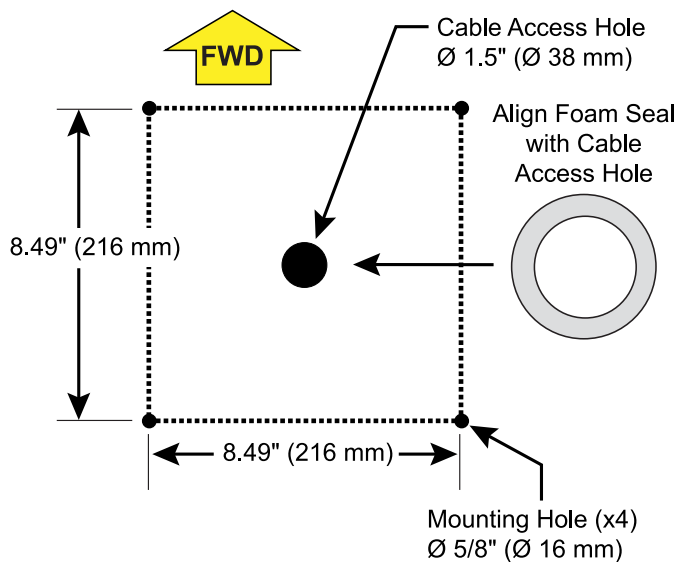


2. Using a light hammer and center punch, mark the locations for the four mounting holes and cable access hole on the mounting surface in the locations indicated on the template.
3. Drill a 5/8" (16 mm) hole at the four mounting hole locations you marked in step 2. Later, you will insert four 1/2"-13 bolts through these holes from above to secure the antenna to the mounting surface.

IMPORTANT!

The 1/2"-13 bolts supplied in the kit are 2.25" (57 mm) long. Since the bolts must extend fully into and through nuts beneath the baseplate for proper thread engagement, you will need bolts of a different length if the mounting surface is thinner than 0.75" (19 mm) or thicker than 1" (25 mm).

Figure 3: Antenna Mounting Holes Layout



4. Cut out the 1.5" (38 mm) cable access hole in the location you marked in step 2. Smooth the edges of the hole to protect the antenna cable. (You may also apply anti-chafe material around the antenna cable to prevent abrasion.) Later, you will route the antenna cable through this hole and into the vessel.
5. Clean and dry the antenna mounting surface.
6. Peel off the paper backing from the supplied foam seal to expose the adhesive. Then press the foam seal down firmly onto the mounting surface, ensuring the hole in the foam seal aligns with the cable access hole in the mounting surface.

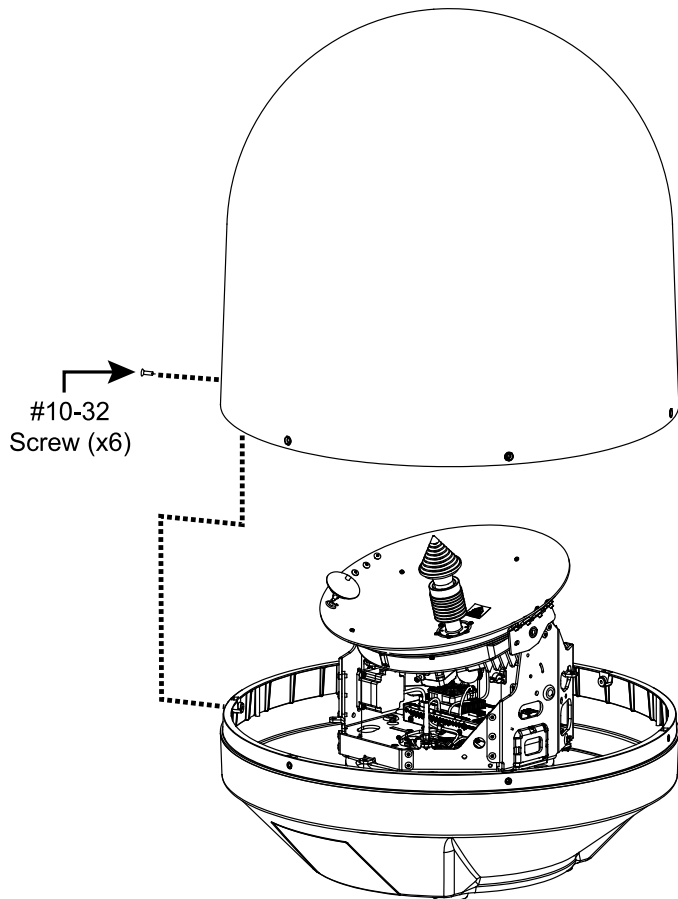
Note: Apply the foam seal to the vessel mounting surface, not to the antenna’s baseplate.

Remove the Shipping Restraints

Follow these steps to detach the antenna from the shipping pallet and remove the shipping restraints.

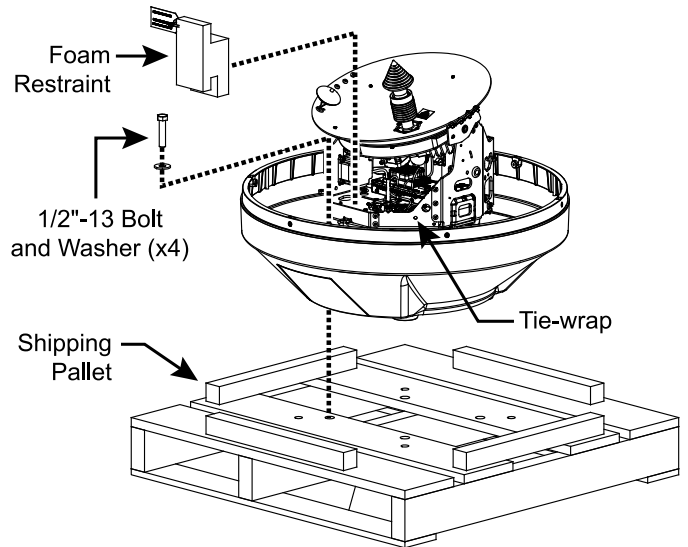
1. Remove the six #10-32 screws securing the radome to the baseplate. Carefully lift the radome straight up until clear of the antenna assembly and set it aside in a safe place. If you keep the radome topside, secure it with a lanyard to prevent it from falling overboard.

Figure 4: Removing the Radome



2. Remove the four 1/2"-13 bolts and washers securing the antenna to the shipping pallet.

Figure 5: Shipping Restraints and Pallet Bolts



3. Transport the antenna to the mounting location.
4. Remove the foam shipping restraint. Save it for future use.
5. Remove the tie-wrap shipping restraint from the antenna frame.

IMPORTANT!

Once you have removed the restraints, handle the antenna carefully, as its internal assembly will rotate freely. Whenever you need to tilt the antenna, be sure to guard against having the internal assembly swinging around and potentially causing injury.

Mount the Antenna

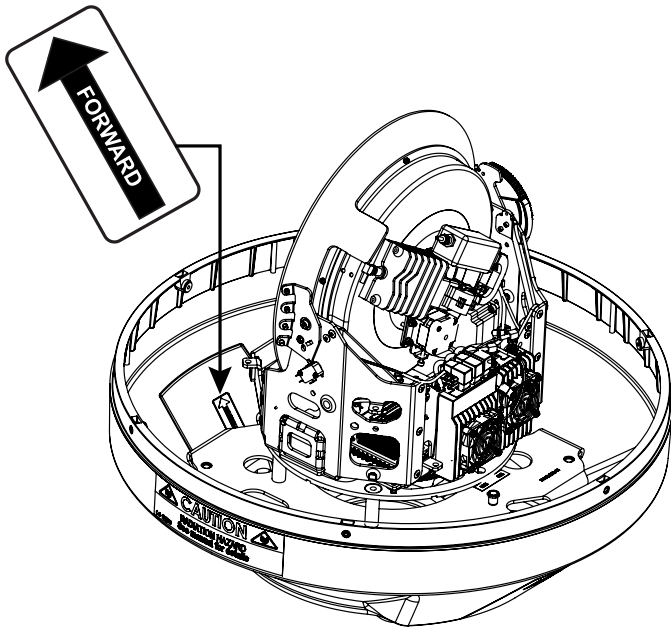
IMPORTANT!

Before you mount the antenna, follow the instructions in the Installation Guide to connect the antenna cable, seal the connection, and weatherproof the cable access hole.

Follow these steps to mount the antenna.

1. Place the antenna baseplate over the holes drilled in the mounting surface and make sure the forward arrow inside the baseplate points toward the bow and is **parallel** to the vessel's centerline. The antenna's baseplate should rest squarely atop the foam seal.

Figure 6: Forward Arrow in Antenna Baseplate

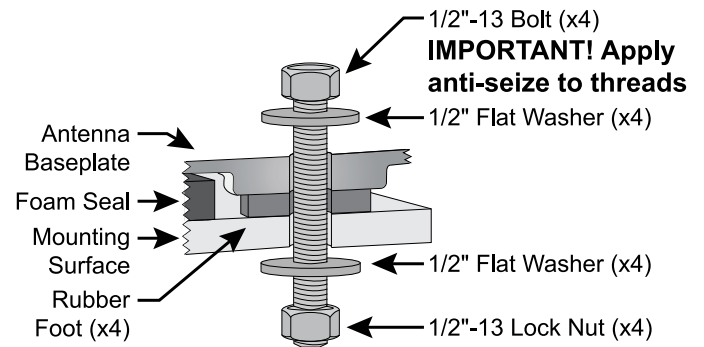


CAUTION

Be sure to observe the safe handling instructions in the Material Safety Data Sheet (MSDS) provided with the anti-seize lubricant.

2. Apply a thin layer of the supplied anti-seize lubricant to the threads of the four 1/2"-13 bolts to prevent galling.

Figure 7: Mounting the Antenna (Side View)



3. Using a 3/4" socket, secure the baseplate to the mounting surface with four 1/2"-13 bolts and flat washers from above and four flat washers and lock nuts from below, as shown in Figure 7. Tighten all four bolts until the four rubber feet on the baseplate are bottomed against the mounting surface and the foam seal is fully compressed. KVH recommends that you tighten the nuts to 34 ft-lbs (46.1 N-m) of torque.
4. Reinstall the radome onto the antenna. Secure in place with the six #10-32 screws you removed earlier (see [Figure 4 on page 3](#)).
5. Install a protective plastic cap (*supplied in kit*) over each radome screw.

Follow all remaining steps in the TracPhone V30 or TracNet H30 Installation Guide to complete the installation.