

# CommBox Edge 6 (for DIDs starting with “ES1K”)

## Quick Start Guide



The following instructions explain how to install the CommBox™ Edge 6 on your vessel and access its EdgeOS web interface. It also explains how to load a KVH turnkey configuration if one meets your vessel’s needs. Otherwise, the device is fully configurable at its web interface.

### IMPORTANT!

For comprehensive configuration information, refer to the documentation at <https://kvh.scrollhelp.site/kb/>.

## Kitpack Contents List

The following items are included with the Edge 6:

- AC-DC power supply with international adapter plugs
- VESA mounting plate
- VELCRO® hook-and-loop tape
- Two standard Ethernet cables
- USB-to-Ethernet adapter

**Note:** Additional USB-to-Ethernet adapters may be purchased from KVH (part no. 19-1250-07). Adapters sold by KVH are verified to be fully compatible with the device.

## Required Equipment

You will need the following items to configure the device:

- Laptop computer equipped with an Ethernet port (set up for DHCP)
- KVH configuration file downloaded to your laptop, if you will use a turnkey configuration (file provided by KVH Technical Support)

**Note:** KVH-certified technicians can download configuration files from the KVH Partner Portal.

## Contents

Connecting Power .....	2
Mounting .....	2
Activation .....	2
Connecting to the Web Interface .....	3
Loading a KVH Configuration File .....	3
KVH Turnkey Configurations .....	6

Figure 1: CommBox Edge 6

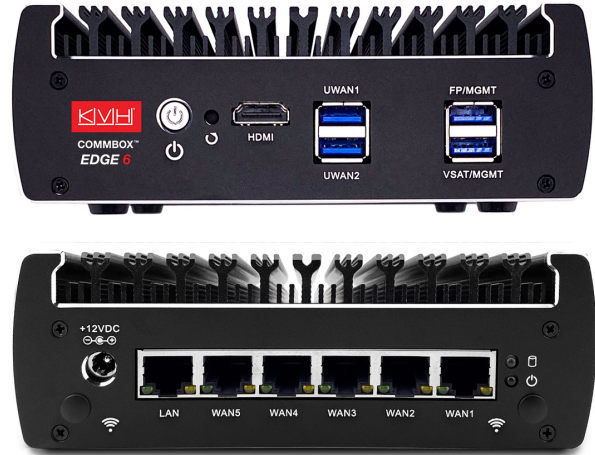


Figure 2: USB-to-Ethernet Adapter



## Technical Support

Within Continental U.S.A.: 1 866 701-7103, Worldwide: +1 401 851-3806

Email: [mvbsupport@kvh.com](mailto:mvbsupport@kvh.com)

KVH, CommBox, TracNet, and TracPhone are trademarks of KVH Industries, Inc. All other trademarks are property of their respective companies. The information in this document is subject to change without notice. No company shall be liable for errors contained herein.

© 2024-2025 KVH Industries, Inc., All rights reserved. 54-1580 Rev. E

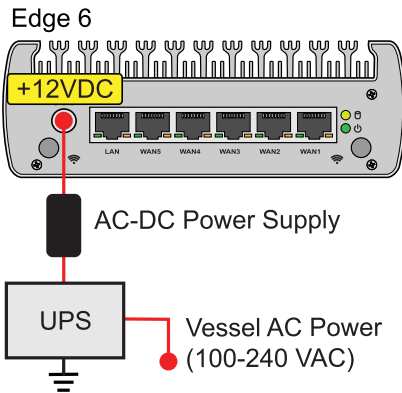
## Connecting Power

The Edge 6 device runs on 12 VDC (50W max) power supplied by an AC-DC power supply. Connect this power supply to 100-240 VAC 50/60 Hz vessel power via a suitable uninterruptible power supply (UPS). Once the Edge 6 is powered up, wait 2-3 minutes for it to initialize.

### IMPORTANT!

A UPS is required for vessel installation. Unstable power will cause the device to enter Safe Power Mode (off). In this mode, the device must be disconnected from power for five seconds before reconnecting.

Figure 3: Power Connection



## Mounting

Secure the Edge 6 device to a flat surface to prevent it from shifting while the vessel is in motion. A VESA mounting plate and heavy-duty VELCRO hook-and-loop tape are provided in the kit. The Edge 6 should be located in a well-ventilated area.

Figure 4: Mounting Plate

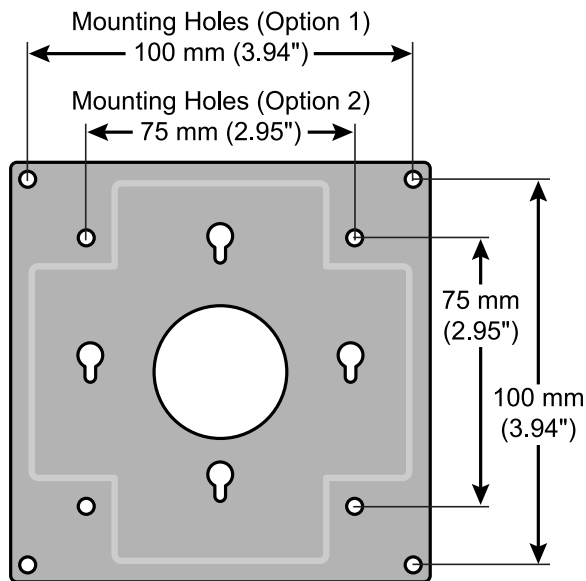
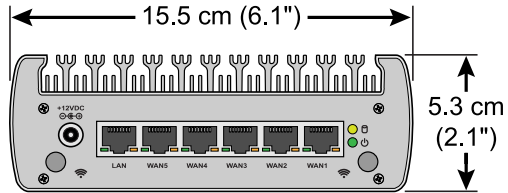
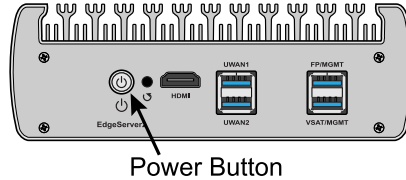


Figure 5: Edge 6 Dimensions

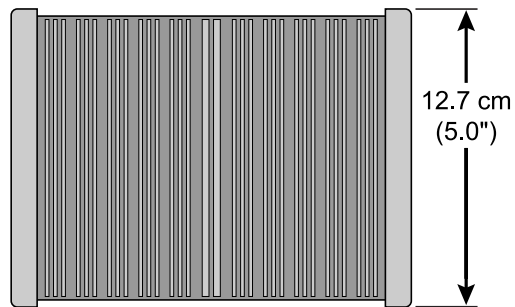
### Rear View



### Front View



### Top View

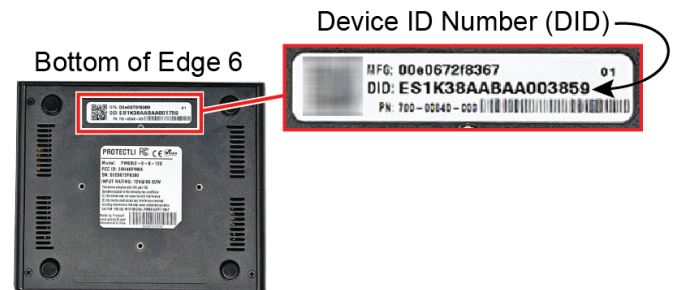


## Activation

The Edge 6 must be activated for CommBox Edge Communications Gateway services. Fill out the activation order form ([available at kvh.com/activate](http://kvh.com/activate)) and email it to [airtimeservices@kvh.com](mailto:airtimeservices@kvh.com).

You will need the device ID number (DID) printed on the bottom of the unit to activate. You will also need to provide the email address of your network administrator who will be responsible for making any configuration changes to the device.

Figure 6: DID Location



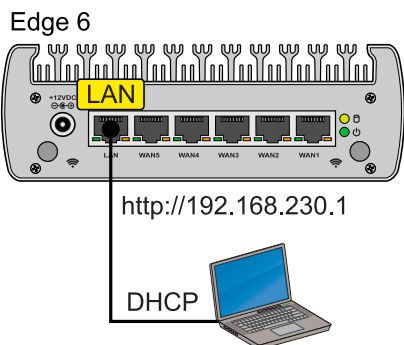
## Connecting to the Web Interface

To configure the Edge 6, you need to connect to its CommBox EdgeOS web interface.

1. If the Edge 6 is not powered on, plug it in and/or press the power button to apply power. Wait a few minutes for initialization.
2. Using a standard Ethernet cable, connect your laptop to the Edge 6's LAN port.

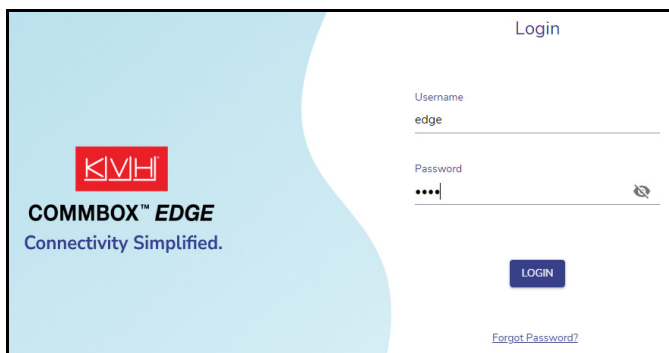
**Note:** As an alternative, you can connect to the FP/MGMT USB port using the USB-to-Ethernet adapter.

Figure 7: Edge 6 Laptop Connection



3. Access the CommBox EdgeOS web interface by entering **http://192.168.230.1** (or the gateway IP address) in your web browser.
4. At the login page, enter the admin credentials. The default temporary settings are:
  - Username: **edge**
  - Password: **edge**

Figure 8: EdgeOS Login Page



If you have a KVH configuration file to upload to the device, follow the steps in the next section. Otherwise, configure the device as required to meet your needs, referring to the comprehensive documentation provided at <https://kvh.scrollhelp.site/kb/>.

## Loading a KVH Configuration File

If a KVH turnkey configuration will meet your needs (see “KVH Turnkey Configurations” on page 6), follow the applicable steps in this section to upload the associated configuration file, available from KVH Technical Support.

### IMPORTANT!

Be sure to use a configuration file that was built for the Edge 6 and not the Edge 2 device.

### IMPORTANT!

With its new configuration, the IP address for the Edge 6's LAN port changes to 192.168.5.1 and its admin login password changes – **contact KVH Technical Support**. If you need to access the web interface going forward, use this new address and password.

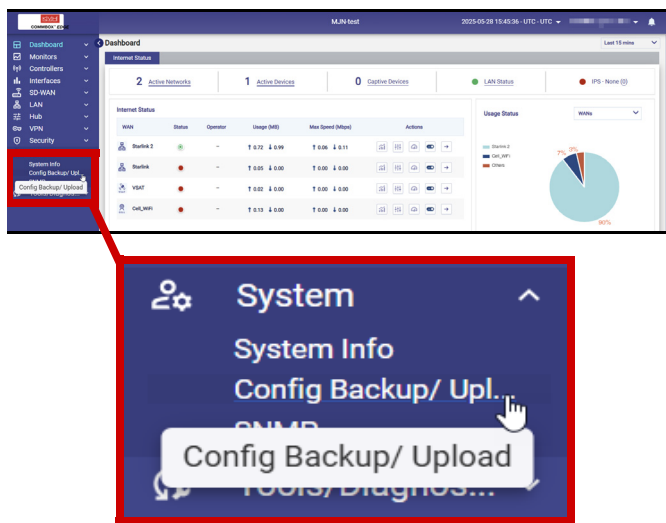
The upload process differs depending on the software version installed in the Edge device:

Version	Key Difference	Go to:
8.x or later	Menu is located in the left sidebar	<a href="#">Page 4</a>
7.x or earlier	Menu is located in the upper-right corner	<a href="#">Page 5</a>

## Software Version 8.x or Later

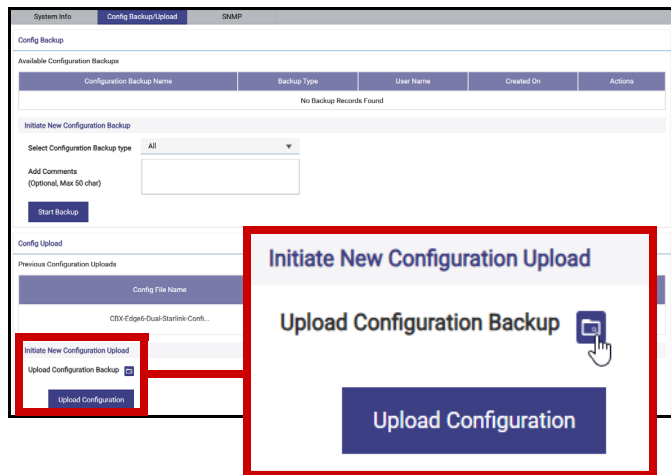
1. Select **System** from the menu. Then select **Config Backup/Upload**.

Figure 9: CommBox EdgeOS Menu



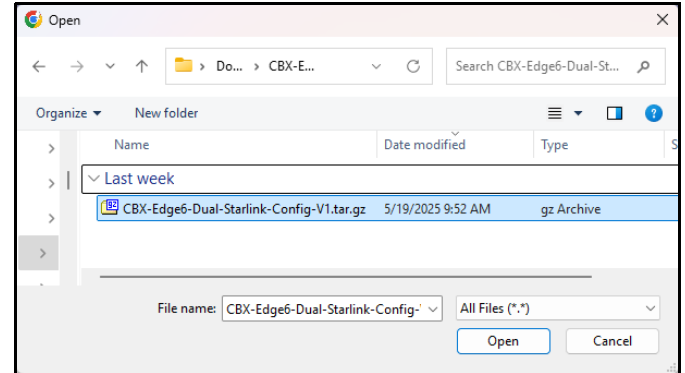
2. Under Config Upload, select **Upload Configuration Backup**.

Figure 10: Upload Configuration Backup



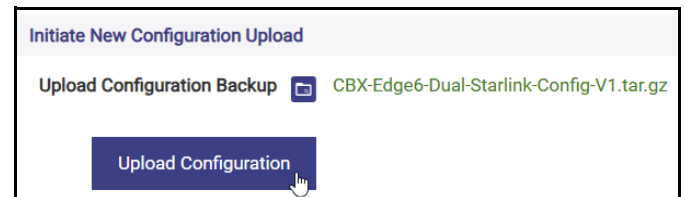
3. Navigate to the KVH configuration file saved on your laptop (*filename has a tar.gz extension*). Select **Open**.

Figure 11: Config File Selection



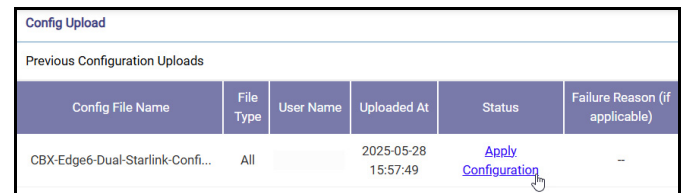
4. Select **Upload Configuration**. Wait one minute for the Edge 6 to upload the new configuration.

Figure 12: Upload Configuration



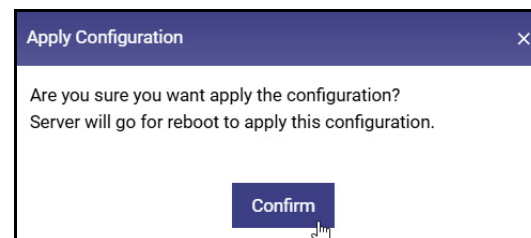
5. Select **Apply Configuration**.

Figure 13: Apply Configuration



6. Select **Confirm**. The Edge 6 will reboot. It may take 2-3 minutes to initialize.

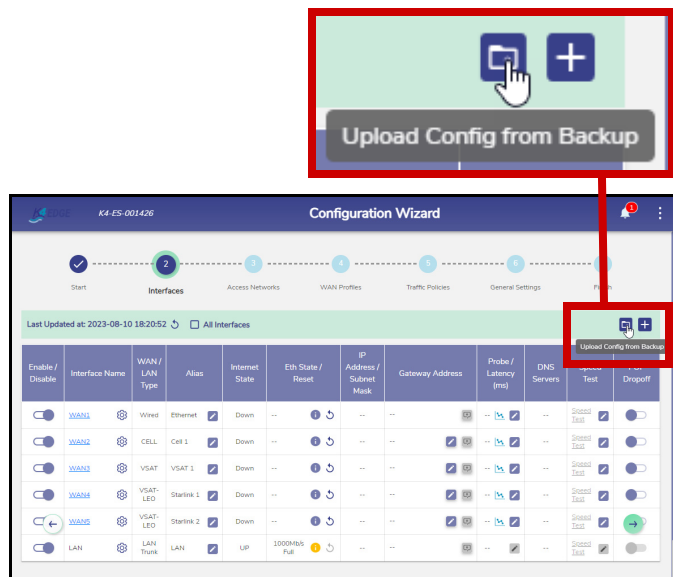
Figure 14: Apply Configuration Confirmation



### Software Version 7.x or Earlier

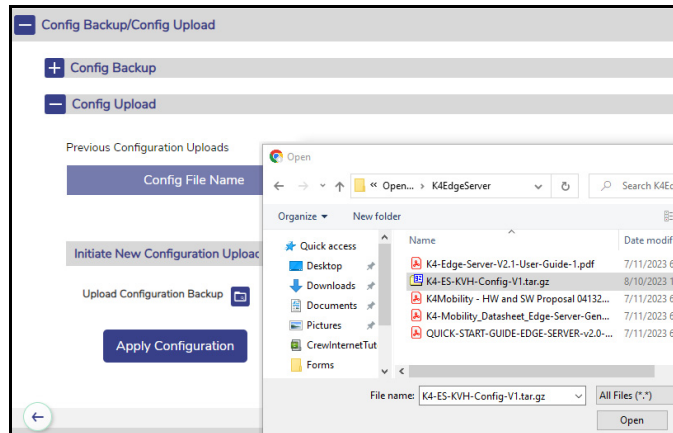
1. At the Configuration Wizard, go to the Interfaces page. Then select **Upload Config from Backup**.

Figure 15: Configuration Wizard Interfaces Page



2. Under Config Upload, select **Upload Configuration Backup**. Then navigate to the KVH configuration file saved on your laptop (*filename has a tar.gz extension*). Select **Open**.

Figure 16: Config Upload



3. Select **Apply Configuration**. Wait one minute for the Edge 6 to apply the new configuration.

Figure 17: Apply Configuration

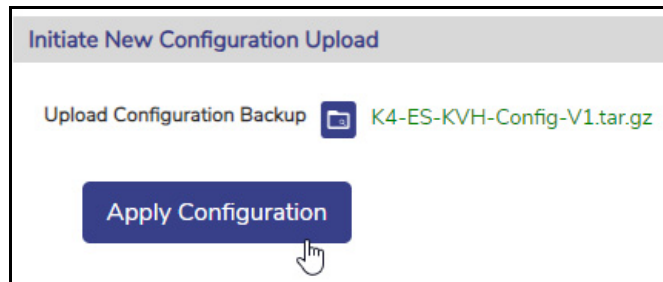
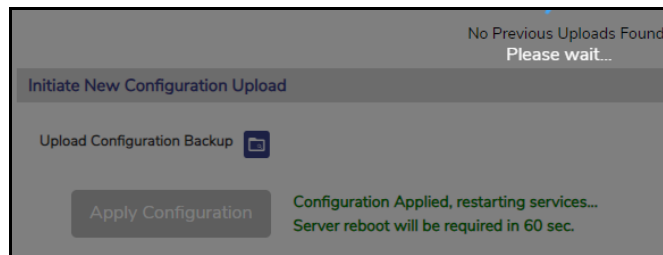


Figure 18: Applying Configuration



4. Select **Click here to Reboot**. Then select **Confirm**. The Edge 6 will reboot. It may take 2-3 minutes to initialize.

Figure 19: Reboot Edge 6

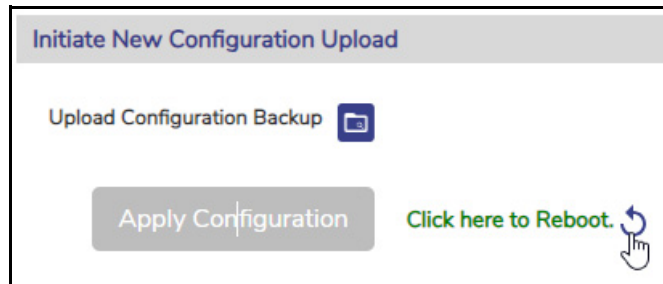
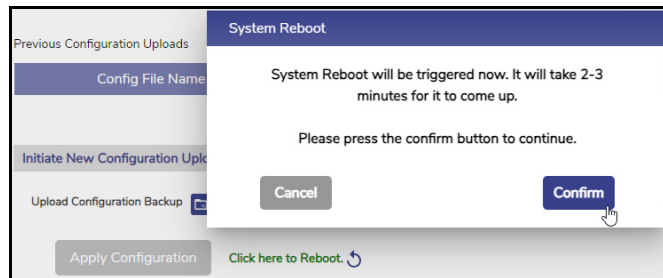


Figure 20: Confirm Reboot



## Appendix A: KVH Turnkey Configurations

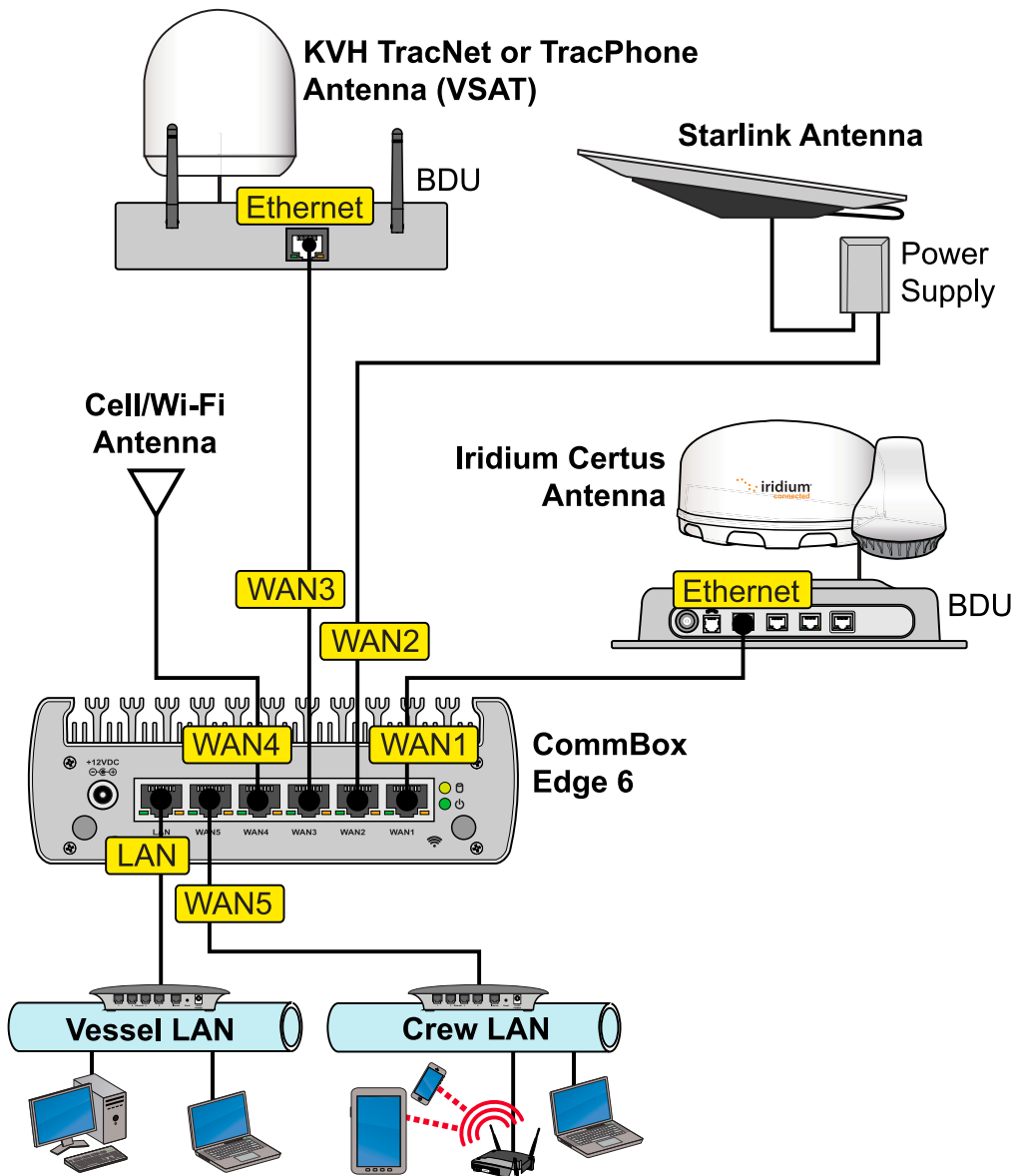
KVH offers pre-built configuration files that meet the most common customer requirements. Configurations are also available for KVH OpenNet customers. If you would like to load one of these configurations to your Edge 6, contact KVH Technical Support for the configuration file, then follow the steps in [“Loading a KVH Configuration File” on page 3](#).

**Note:** KVH-certified technicians can download configuration files from the KVH Partner Portal.

Network diagrams of these turnkey configurations are provided on the following pages:

Standard Configuration .....	7
Dual Starlink Configuration .....	8
OneWeb Configuration.....	9
OpenNet Configuration for iDirect X7 Modem .....	10
OpenNet Configuration for iDirect iQ 200 Modem.....	11
OpenNet Configuration for MDM3315 Modem .....	12

## Standard Configuration

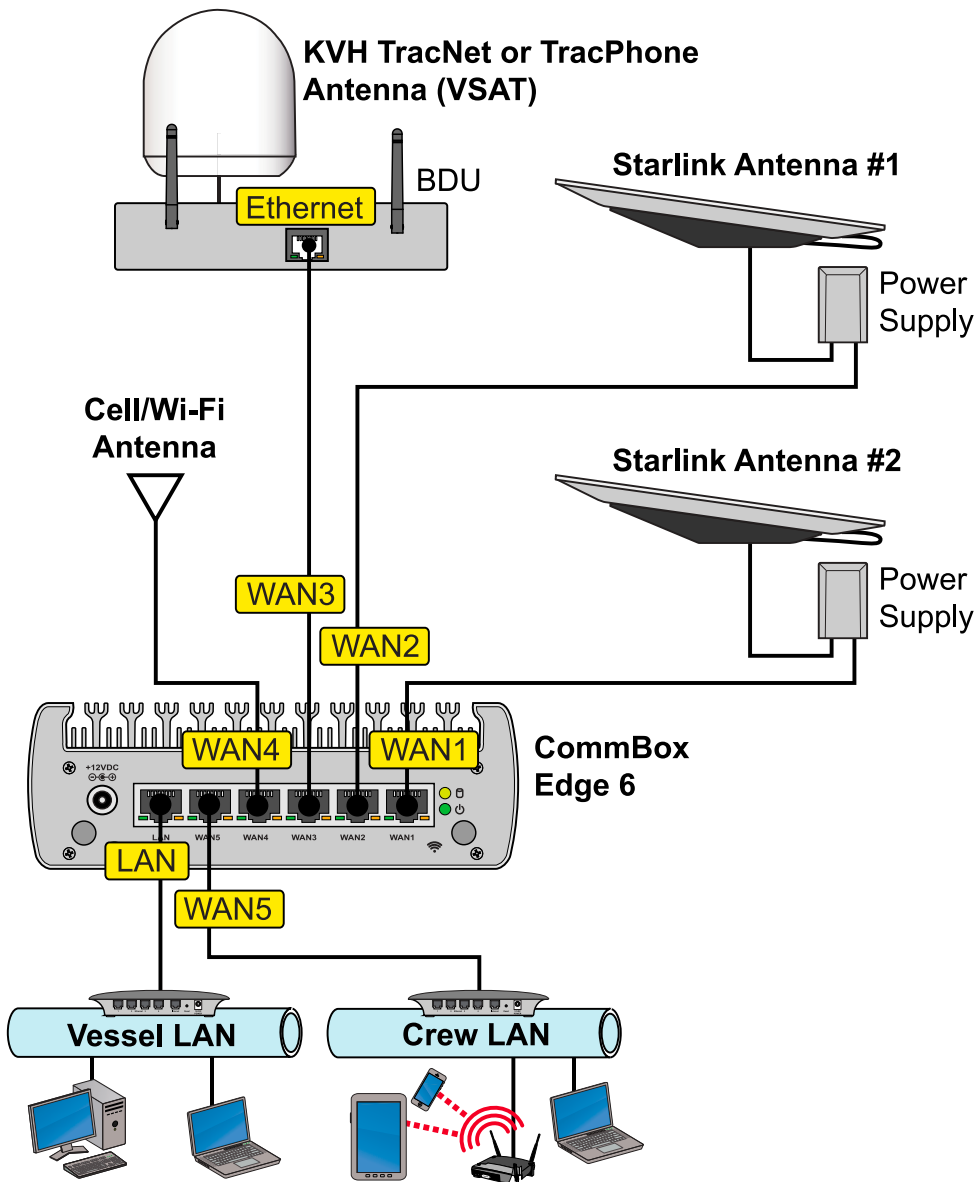


### WAN Switching Priority

WAN connections are prioritized in the following order:

1. Starlink
2. Cellular/Wi-Fi
3. KVH TracNet/TracPhone (VSAT)
4. Iridium Certus

## Dual Starlink Configuration

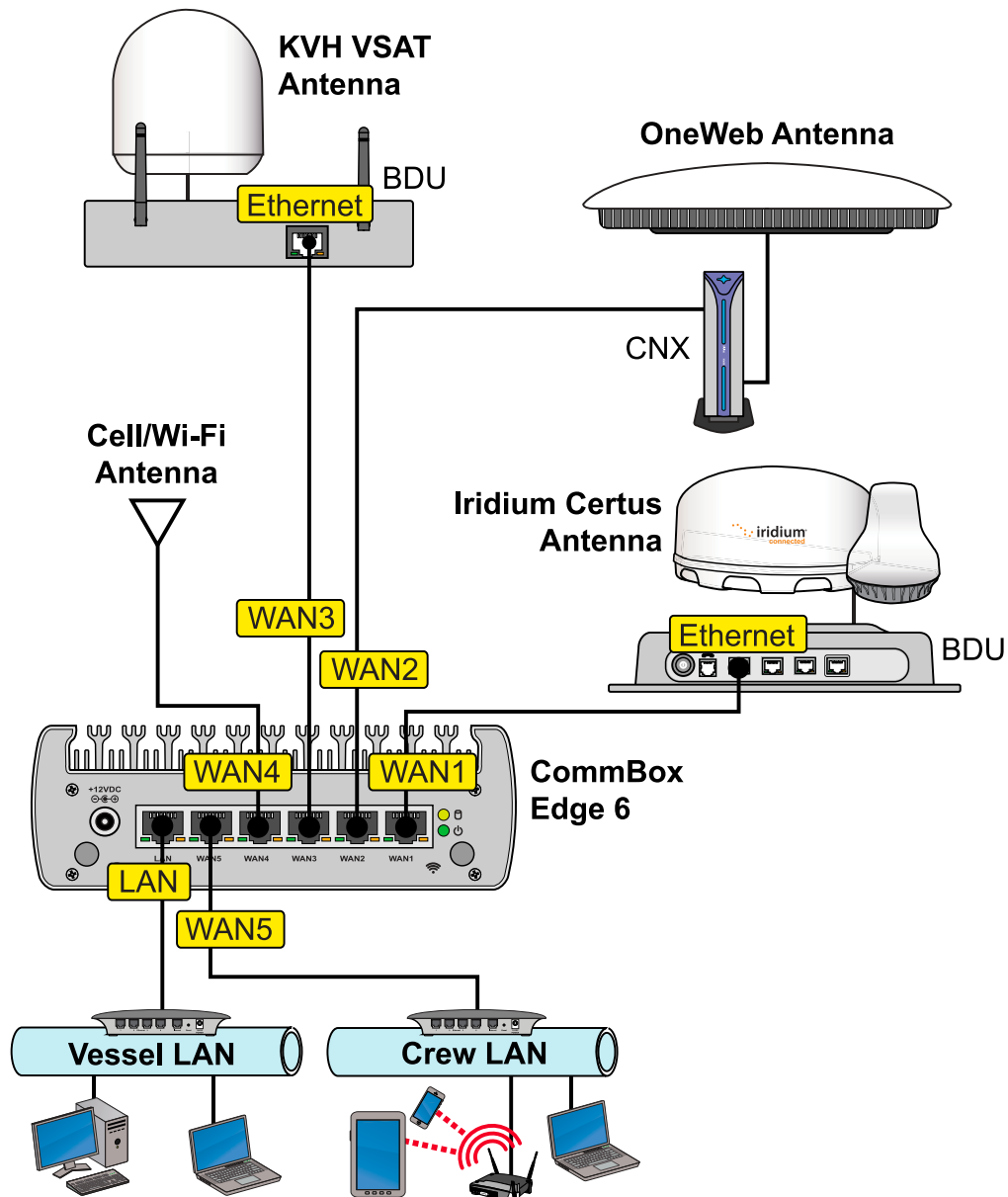


### WAN Switching Priority

WAN connections are prioritized in the following order:

1. Starlink (bonded)
2. Cellular/Wi-Fi
3. KVH TracNet/TracPhone (VSAT)

## OneWeb Configuration

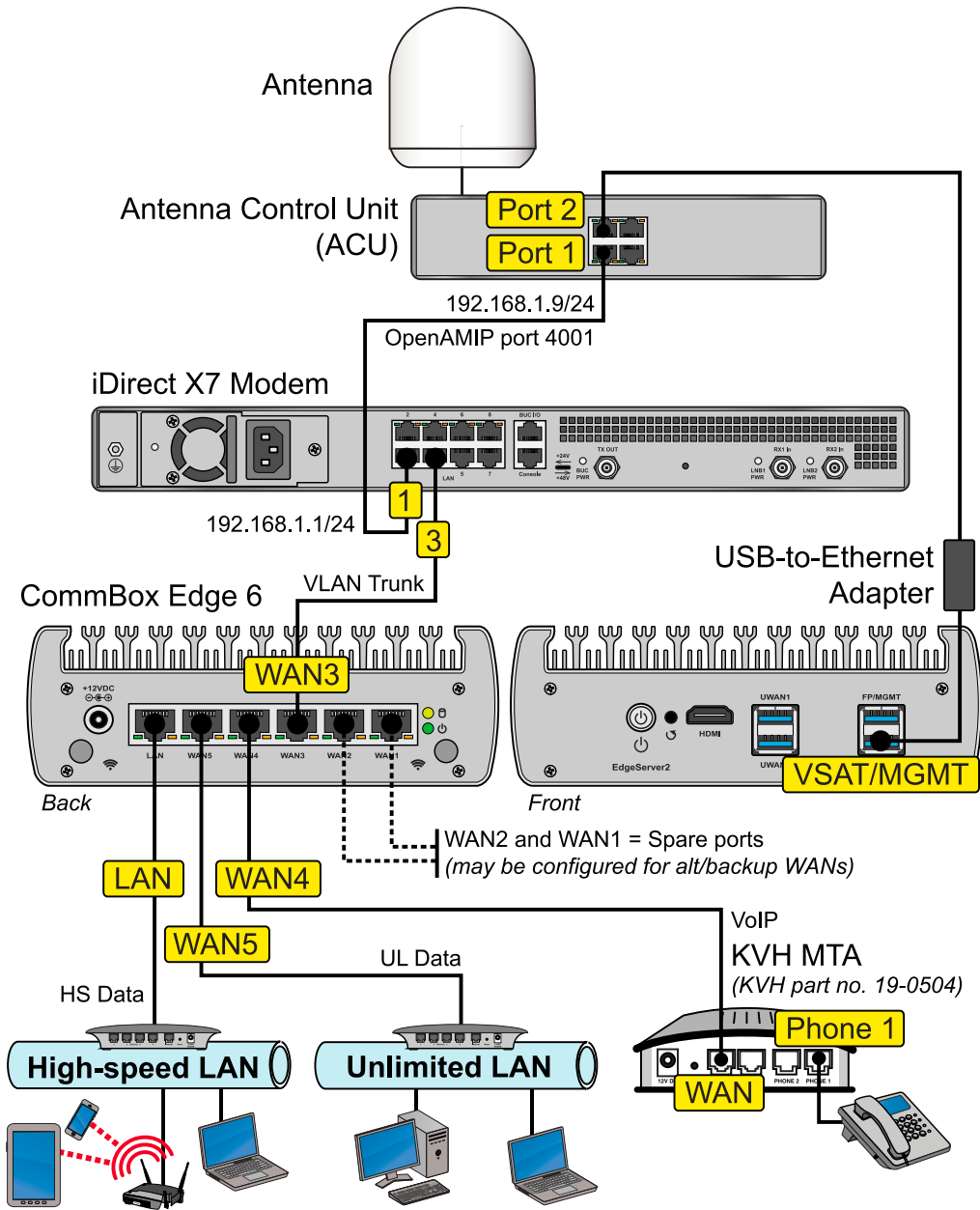


### WAN Switching Priority

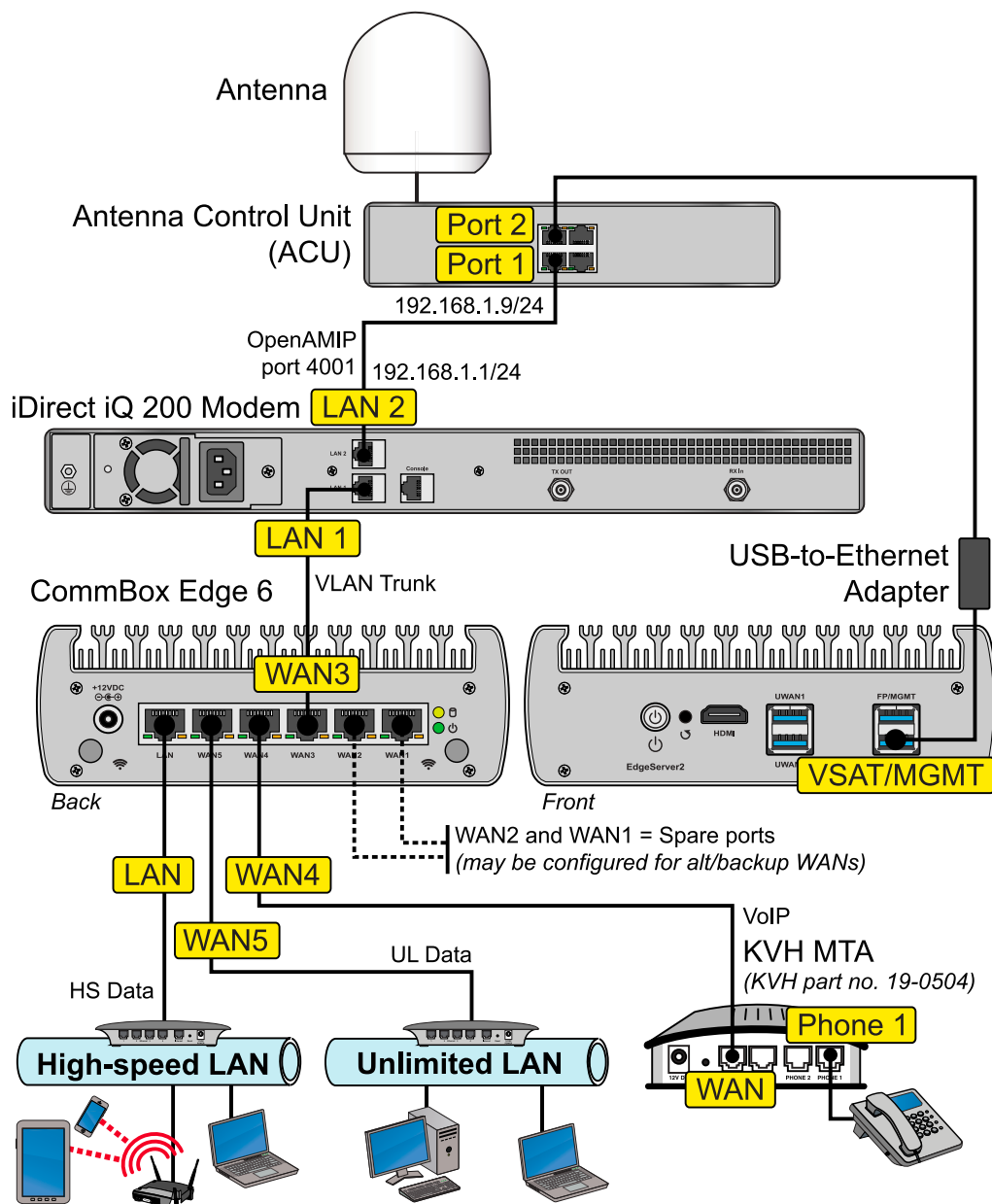
WAN connections are prioritized in the following order:

1. OneWeb
2. Cellular/Wi-Fi
3. KVH TracNet/TracPhone (VSAT)
4. Iridium Certus

# OpenNet Configuration for iDirect X7 Modem



# OpenNet Configuration for iDirect iQ 200 Modem



# OpenNet Configuration for MDM3315 Modem

