

CommBox Edge Core

Quick Start Guide



The following instructions explain how to install the CommBox™ Edge Core and access its OpenEdge web interface. The device is fully configurable at its web interface.

IMPORTANT!

For comprehensive configuration information, refer to the documentation at <https://kvh.scrollhelp.site/kb/>.

Kitpack Contents List

The following items are included with the Edge Core:

- AC-DC power supply with international adapter plugs
- VELCRO® hook-and-loop tape
- One standard Ethernet cable

Contents

Mounting	2
Connecting Power	2
Registration and Activation	3
Default Configuration.....	3
Custom Configuration	4

Figure 1: CommBox Edge Core



Technical Support

Within Continental U.S.A.: 1 866 701-7103, Worldwide: +1 401 851-3806

Email: mvbsupport@kvh.com

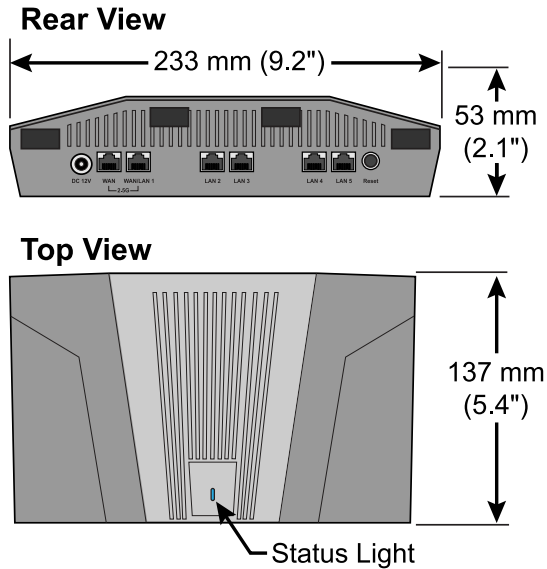
KVH and CommBox are trademarks of KVH Industries, Inc. All other trademarks are property of their respective companies. The information in this document is subject to change without notice. No company shall be liable for errors contained herein.

© 2025 KVH Industries, Inc., All rights reserved. 54-1626 Rev. B

Mounting

Secure the Edge Core device to a flat surface in an adequate manner. Keyholes on the bottom of the unit allow you to mount it to a wall, and heavy-duty VELCRO hook-and-loop tape is provided in the kit. The Edge Core should be located in a cool, dry, well-ventilated area.

Figure 2: Edge Core Dimensions (Without Wi-Fi Antennas)



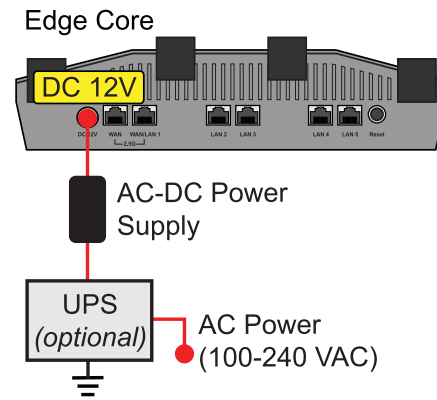
Connecting Power

The Edge Core runs on 12 VDC (50W max) power from an AC-DC power supply. Connect the power supply to the "DC 12V" connector on the Edge Core's rear panel. Then plug it into an AC outlet (100-240 VAC 50/60 Hz). *If AC power is unstable, use a suitable uninterruptible power supply (UPS).*

IMPORTANT!

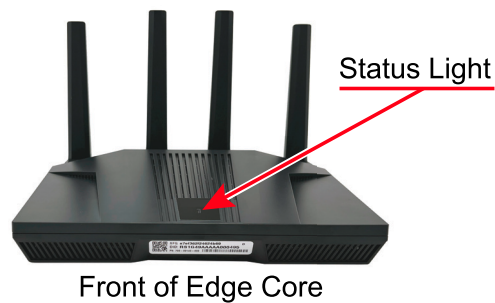
A UPS is required for installation on a vessel.

Figure 3: Power Connection



Once the Edge Core is powered up, its status light blinks blue while it initializes. When it turns solid white, it is ready for use.

Figure 4: Edge Core Status Light

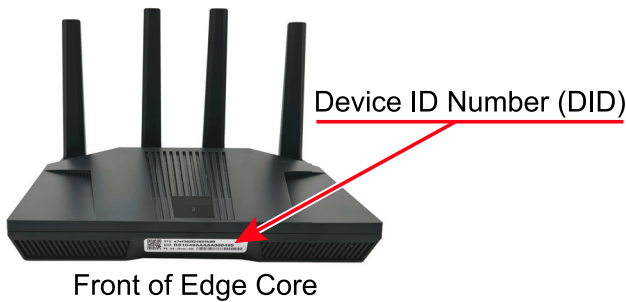


Registration and Activation

When you register your Edge Core with KVH, you get access to the CommBox Edge Cloud Portal at <https://commboxedge.kvh.com>. This site allows you to configure the device remotely and check its status at any time. Registration is free of charge. Just contact KVH Airtime Services at airtimeservices@kvh.com.

You will need the device ID number (DID) printed on the front of the unit to register. You will also need to provide an email address for the person responsible for making configuration changes – this will be your user name for portal access.

Figure 5: DID Location



Extended Functionality

KVH offers a full suite of advanced features that extend the capabilities of the Edge Core. These features include:

- Comprehensive performance monitoring
- Secure remote access to the Edge Core interface and its connected LAN/WAN devices
- Configurable WAN quotas
- Crew captive portal and user data allocations

For details about available service tiers, visit kvh.com/edge. To activate one of these licenses, fill out the activation order form (available at kvh.com/activate) and email it to airtimeservices@kvh.com.

Access Point License

If you wish to install a second Edge Core device as a wireless access point to extend the Wi-Fi range of your user network, it needs to be activated with an Access Point license. In addition, the parent Edge Core device must be activated with a Cloud or Cloud Plus license.

Default Configuration

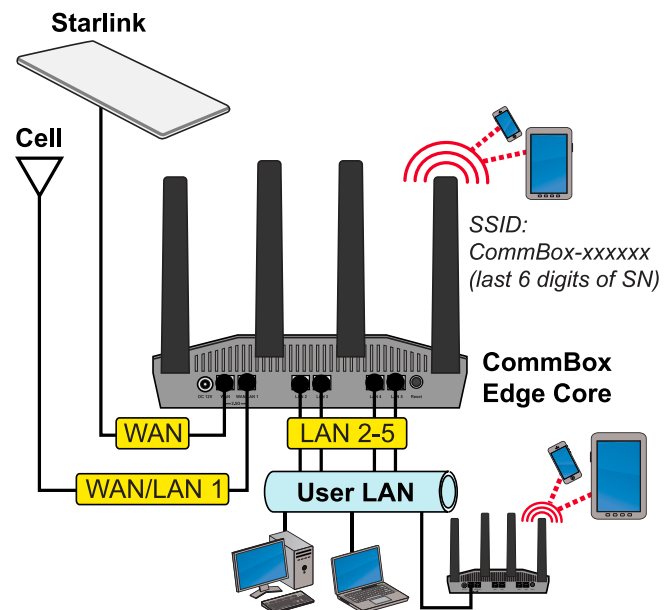
Out of the box, the Edge Core is configured for the following WAN (wide area network) and LAN (local area network) connections:

Port	Max Speed	Config
WAN	2.5G	Starlink WAN
WAN/LAN 1	2.5G	Cellular WAN
LAN 2 LAN 3 LAN 4 LAN 5	1G	User network (LAN)

The Edge Core's built-in Wi-Fi (2.4 GHz and 5 GHz bands) also provide wireless access to the user network.

Note: The Wi-Fi SSID and password are printed on a label on the bottom of the unit.

Figure 6: Edge Core Default Configuration



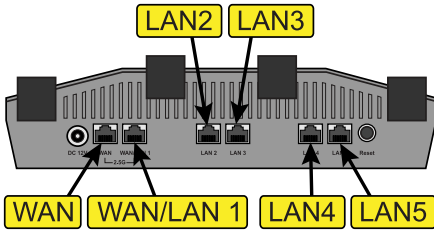
In this default configuration, assuming you have connected both a Starlink and a cellular antenna, the Starlink will be the primary Internet connection and cellular will be the backup. The Edge Core will automatically switch between them.

If you are installing an Edge Core as an access point (it is activated with an Access Point license), connect its WAN port to the user LAN. Then configure its Wi-Fi settings at the CommBox Edge Cloud Portal (see the next section).

Custom Configuration

You can configure the Edge Core however you like to meet your needs. All six Ethernet ports are fully configurable as either a WAN or LAN connection.

Figure 7: Edge Core Ports



For example, you might configure five ports as WAN connections (e.g., Starlink, OneWeb, VSAT, cellular, and wired Ethernet) and one port as the user LAN. You can set the priority of each WAN connection, and you can even bond two WAN connections together (e.g., two Starlinks) to optimize speeds. The Edge Core also offers a full suite of routing features.

You can configure the Edge Core either remotely via the CommBox Edge Cloud Portal or locally via its OpenEdge web interface.

Note: To configure an Edge Core device with an Access Point license, you must use the remote option.

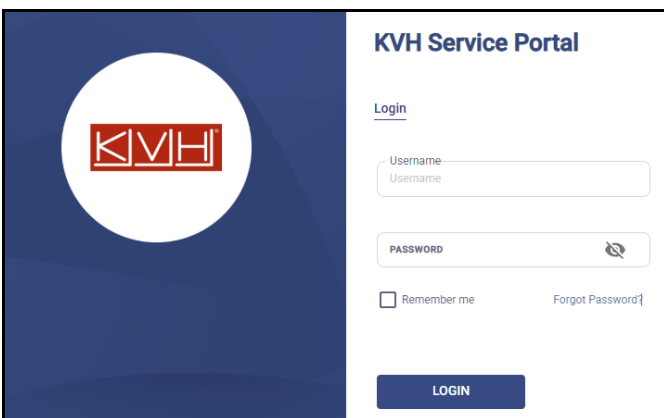
Option 1: Remote Configuration (Preferred)

You can fully configure the Edge Core from the cloud. If the device is offline, your configuration changes will be pushed to the device whenever it next comes online.

Note: The device will come online when one of its WAN ports is connected to a WAN source that has Internet access. The WAN source should have DHCP enabled.

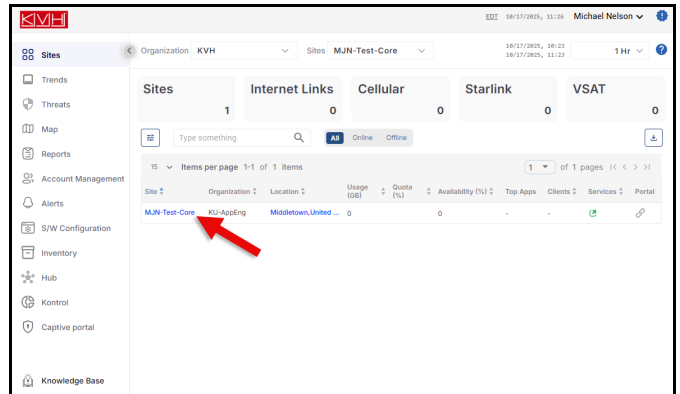
- Using your web browser, go to the CommBox Edge Cloud Portal at <https://commboxedge.kvh.com>. Log into the portal with your user name and password (initially set by KVH during product registration).

Figure 8: Portal Login Page



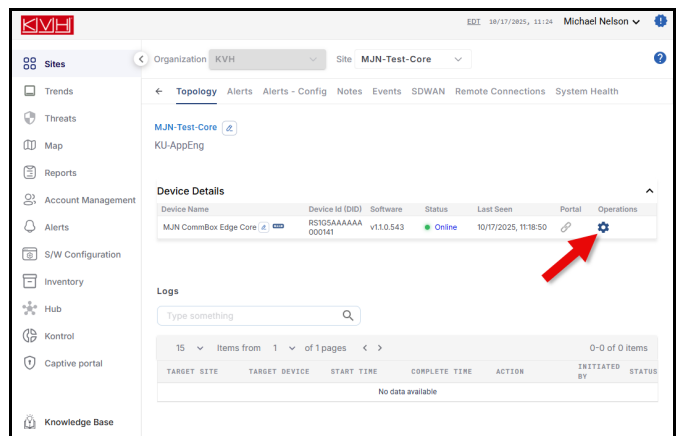
- If you manage multiple Edge installation sites, select the site where the new Edge Core device is located.
- On the Sites page, click on the name of the site you want to configure.

Figure 9: Sites Page



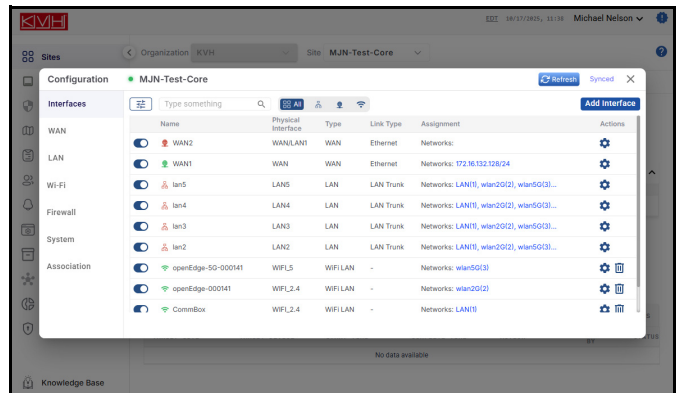
- Under Device Details, click on the gear icon in the Operations column.

Figure 10: Device Details



- Configure the device as required to meet your needs, referring to the comprehensive documentation provided at <https://kvh.scrollhelp.site/kb/>.

Figure 11: Configuration Window

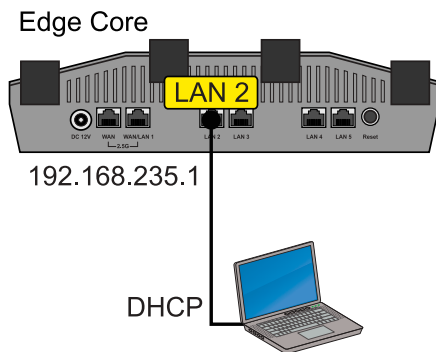


Option 2: Local Configuration

Note: If you have not registered the device with KVH, this is your only available configuration option.

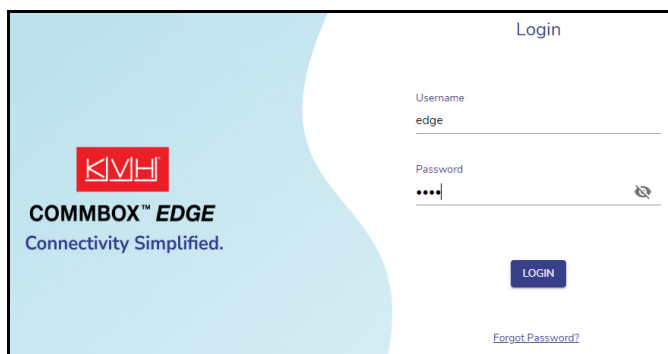
1. Make sure the Edge Core is powered on (its status light is lit solid white).
2. Using a standard Ethernet cable, connect your laptop to the Edge Core's "LAN 2" port.

Figure 12: Edge Core Laptop Connection



3. Access the OpenEdge web interface by entering **http://192.168.235.1** (or the gateway IP address) in your web browser.
4. At the login page, enter the admin credentials. The default temporary settings are:
 - Username: **edge**
 - Password: **edge**

Figure 13: OpenEdge Login Page



5. KVH recommends that you change the admin password to something unique to prevent unauthorized access. Select **Manage Accounts** from the menu in the upper-right corner. Then enter your new password and select **Proceed**.

Figure 14: OpenEdge Manage Accounts Option

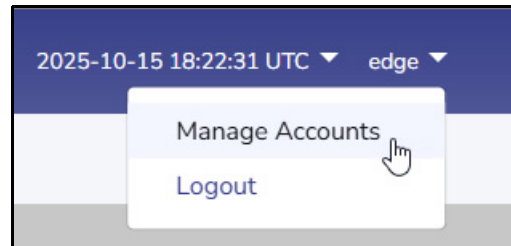
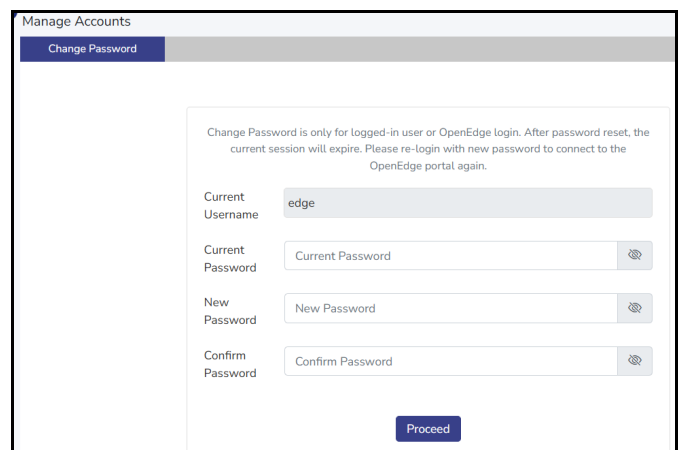


Figure 15: Changing the Admin Password



6. Configure the device as required to meet your needs, referring to the comprehensive documentation provided at <https://kvh.scrollhelp.site/kb/>.

Figure 16: OpenEdge Interfaces Page

Enable / Disable	Interface Name	Interface Type	Link Type	Alias / SSID	Port State
<input checked="" type="checkbox"/>	LAN2	LAN	LAN Trunk (Bridge)	lan2	Up
<input checked="" type="checkbox"/>	LAN3	LAN	LAN Trunk (Bridge)	lan3	Down
<input checked="" type="checkbox"/>	LAN4	LAN	LAN Trunk (Bridge)	lan4	Down
<input checked="" type="checkbox"/>	LAN5	LAN	LAN Trunk (Bridge)	lan5	Down
<input checked="" type="checkbox"/>	LAN (VID-1)	LAN	Connected Network	LAN	Up
<input checked="" type="checkbox"/>	LAN (VID-2)	LAN	Connected Network	wlan2G	Up
<input checked="" type="checkbox"/>	LAN (VID-3)	LAN	Connected Network	wlan5G	Up
<input checked="" type="checkbox"/>	LAN (VID-4094)	LAN	Connected Network	MgmtNetwork	Up
<input checked="" type="checkbox"/>	WAN/LAN1	WAN	Ethernet	WAN2	Down
<input checked="" type="checkbox"/>	WAN	WAN	Ethernet	WAN1	Down
<input checked="" type="checkbox"/>	WIFI.2.4	LAN	WIFI	openEdge-000141	Up
<input checked="" type="checkbox"/>	WIFI.5	LAN	WIFI	openEdge-5G-000141	Up