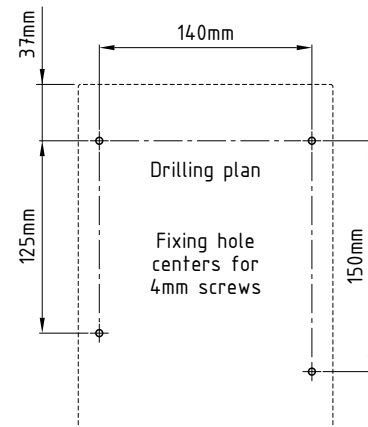
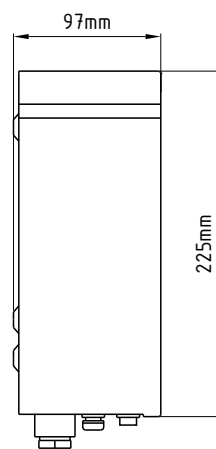
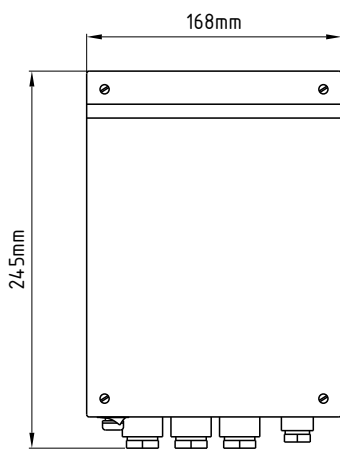


N163S AC/DC Power Supply

Technical manual

Dimensions and drilling plan



Weight: 5 kg

Technical specifications

INPUT: 110/127V AC
220/237V AC
160VA 50/60Hz
OUTPUT: 24V DC 170W

Fuse T2A
Fuse T1A

Operating Temperature Range: -15°C to +55°C 93% Relative humidity.
Storage Temperature: -20°C to +70°C 93% Relative humidity.

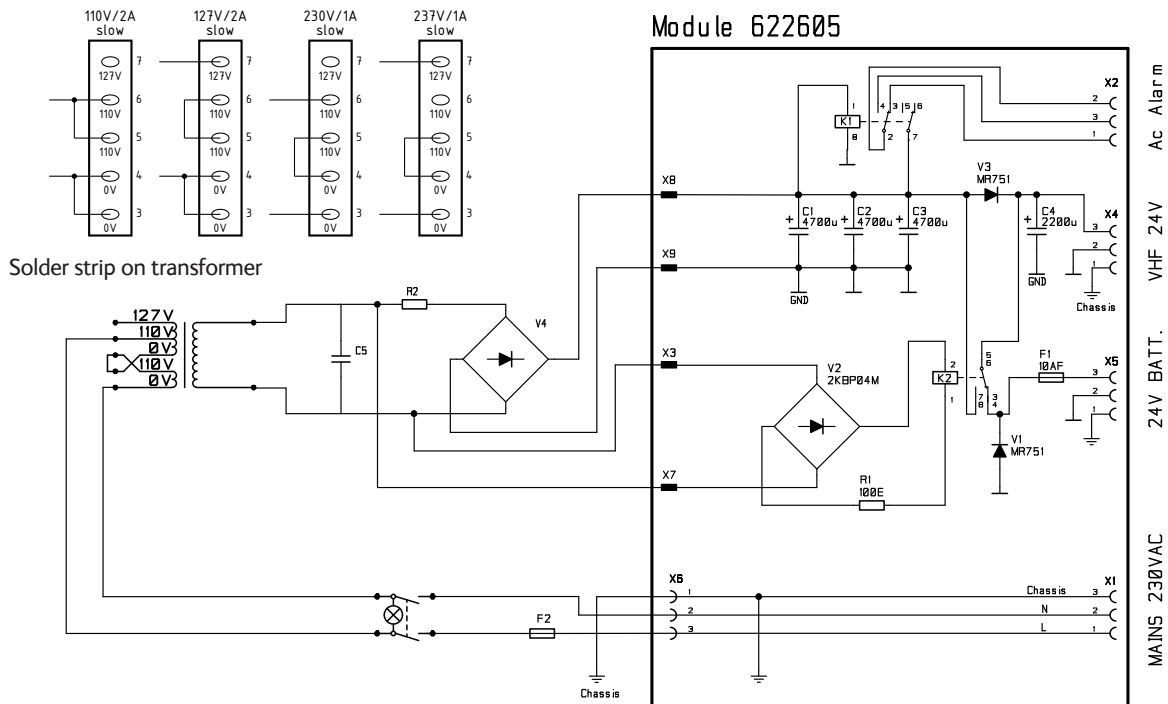
Power Supply wires

110V AC - 2 x 1.5mm²
220V AC - 2 x 0.7mm²
24V DC - 2 x 6.0mm²

Absolute maximum voltage allowed on the battery input is 32V.

Schematic diagram

Mains Voltage/Fuse Rating (Wired and fused for 230V from factory)



Part list

(Fused for 220V from factory)

POS	DESCRIPTION	MANUFACTURER	TYPE	PART NO.
N1635, AC/DC Power supply				
C5	CAPACITOR MKT 680nF 10% 63V	ERO	MKT 1818-468/065	11.186
F2	FUSE 1AT 250V 5x20mm	LITTELFUSE	218001	45.506
R2	RESISTOR		CONSTANTAN wire ø1.2	501194
S1	Rocker Switch w. lamp, 10A/250VAC DPST	Light Country/Legion	LECR9Y2KDFT7F	43.057
T1	TRANSFORMER MAINS 220V - 19V/7AAC	Ulveco	6-0-28731A Art.Nr: EI-96-1001	22.120
V4	DIODE BRIDGE 100V/25A	Diotec	KBCP2501FP	23-207076-501
Rectifier Board N1635				
C1	Capacitor Electrolytic 4m7F 20% 40VDC	Panasonic	ECEC 1H P 472 C A	14.747
C2	Capacitor Electrolytic 4m7F 20% 40VDC	Panasonic	ECEC 1H P 472 C A	14.747
C3	Capacitor Electrolytic 4m7F 20% 40VDC	Panasonic	ECEC 1H P 472 C A	14.747
C4	Capacitor Electrolytic 2200uF 20% 40VDC	BC Components	2222 056 57222	14.748
K1	RELAY DPDT 24VDC/1ADC	TAKAMISAWA	RY-24V-OH-K	78000044
K2	RELAY 12VDC 1SH. 16A.	relpol	RM85-1011-25-1012 (35-1012)	21.012
R1	RESISTOR PMF 100 OHM 5% 2W	PHILIPS	2322 194 13101	04.175
V1	DIODE Rectifier 100V/6A	ON SEMICONDUCTORS	MR751(752, 754, 756, 760)RL	25.220
V2	DIODE BRIDGE 400VDC 1.5A	G.I.	2KBP04/06/08/10	27.103
V3	Diode Rectifier 100V/6A	ON SEMICONDUCTORS	MR751(752, 754, 756, 760)RL	25.220
X1	Terminal Block 3 Poles 2.5mm2, CC=10mm	SAURO	MSM03002	81.190
X2	Terminal Block 3 Poles 4.0mm2, CC=7.5mm	SAURO	MSQ03003	81.191
X3	SOLDER LUG PCB VERSION	VOGT AG	01015/Bz-Sn	82.005
X4	Terminal Block 3 Poles 4.0mm2, CC=7.5mm	SAURO	MSQ03003	81.191
X5	Terminal Block 3 Poles 4.0mm2, CC=7.5mm	SAURO	MSQ03003	81.191
X6	Terminal Block 3 Poles 2.5mm2, CC=10mm	SAURO	MSM03002	81.190
X7	SOLDER LUG PCB VERSION	VOGT AG	01015/Bz-Sn	82.005
X8	SOLDER LUG PCB VERSION	VOGT AG	01015/Bz-Sn	82.005
X9	SOLDER LUG PCB VERSION	VOGT AG	01015/Bz-Sn	82.005
F1	Fuse 10AF ATO BLADE RED	PUDENZ	162.6185.5102	45.663
XF1	Fuseholder 1POL. ATO. 30A	Littelfuse	178.6165.0001(,0002)	78.499

Disclaimer: Any responsibility or liability for loss or damage in connection with the use of this product and the accompanying documentation is disclaimed by Thrane & Thrane. The information in this manual is provided for information purposes only, is subject to change without notice and may contain errors or inaccuracies. Manuals issued by Thrane & Thrane are periodically revised and updated. Anyone relying on this information should acquire the most current version e.g. from cobham.com/satcom or from the distributor. Thrane & Thrane is not responsible for the content or accuracy of any translations or reproductions, in whole or in part, of this manual from any other source. Thrane & Thrane A/S trading as Cobham SATCOM

Copyright © 2013 Thrane & Thrane A/S. All rights reserved.